

C R A F T M A D E
air • light • sound

P.O. Box 1037
650 S. Royal Lane, Suite 100
Coppell, TX 75019

(800) 486-4892
8:00 to 5:00 CST (Central Standard Time)
Toll Free Fax: (877) 304-1728

email: customerservice@craftmade.com
www.craftmade.com

C R A F T M A D E
air • light • sound

P. O. Box 1037
650 S. Royal Lane, Suite 100
Coppell, TX 75019 EE.UU.

(800) 486- 4892
8:00 a 5:00 CST (Hora local central)
Número de fax sin cargo: (877) 304-1728

Correo electrónico:
customerservice@craftmade.com
www.craftmade.com

C R A F T M A D E
air • light • sound

P. O. Box 1037
650 S. Royal Lane, Suite 100
Coppell, TX 75019 EE.UU.

de 8 heures à 17 heures (Heure standard du centre)
Numéro de télécopieur gratuit : (877) 304-1728

Email: customerservice@craftmade.com
www.craftmade.com



Pavilion Ceiling Fans

PV52

C R A F T M A D E
air • light • sound

Read and Save These Safety Precautions

1. Turn off electricity at main switch before wiring or servicing fan in order to avoid possible electrical shock.
2. All wiring must be in accordance with the National Electric Code (ANSI/NFPA 70-1999) and local electrical codes. Electrical installation should be performed by a qualified licensed electrician.
3. After making the wire connections, the wires should be spread apart with the grounded conductor and the equipment-grounding conductor on the one side of the outlet box and the ungrounded conductor on the other side of the outlet box.
4. The splices after being made should be turned upward and pushed carefully up into the outlet box.
5. Conductor of a fan identified as grounded conductor to be connected to grounded conductor of power supply, conductor of a fan identified as ungrounded conductor to be connected to an ungrounded conductor of power supply, conductor of fan identified for equipment grounding to be connected to an equipment-grounding conductor.
6. Fan should not be mounted in an area where it might get wet.
7. To reduce the risk of fire, electric shock or personal injury, mount to outlet box marked "Acceptable for Fan Support" and use mounting screws provide with the outlet box.
8. For safety and best operating results, we recommend that you have a qualified electrician assemble and install your fan.
9. **WARNING:** To reduce the risk of fire or electric shock, do not use this fan with any solid state speed control device.
10. To reduce the risk of personal injury, do not bend the blade brackets when installing the brackets, balancing the blades or cleaning the fan. Do not insert foreign objects in between rotating fan blades.

Before Assembly

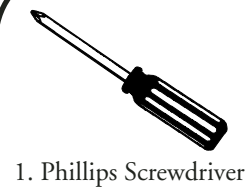
1. Make sure that the fan voltage (120) is compatible with your own electrical system.
2. Check to make sure that your carton contains all the parts mentioned in the parts list.

NOTE: When the motor is taken out of carton, please put it in a soft cloth to prevent any damage on the ornamental surface.

CAUTION: Before installing, choose a location for mounting the fan where the blades have at least 7 feet of clearance from all objects and floor. Mount an outlet box to the ceiling or use an existing box.

CAUTION: Do not mount fan to sheet rock or drywall type materials. To insure proper support, use the two #1 wood screws to secure mounting bracket to joist or beam. If the location you choose does not have a suitable support beam, install a 2"X4" brace between ceiling joists to support.

Tools You Need



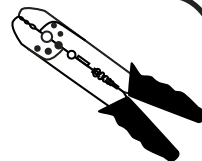
1. Phillips Screwdriver



2. Flat Screwdriver



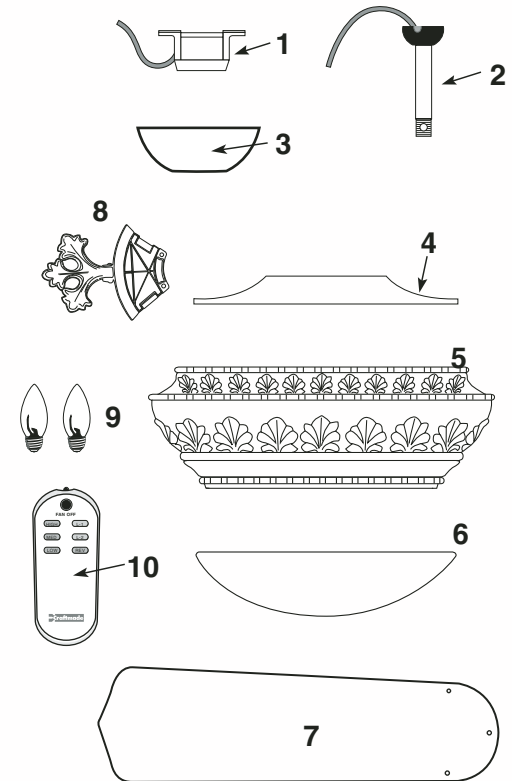
3. Adjustable Wrench



4. Wire Strippers

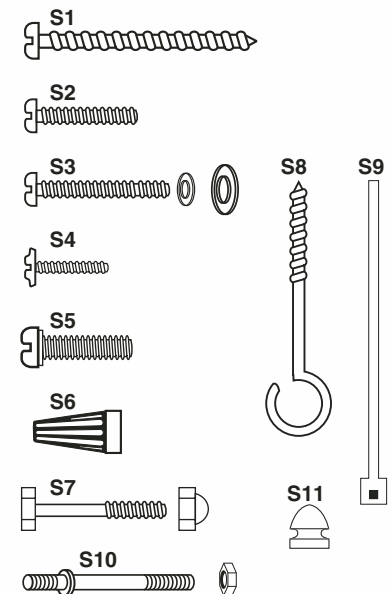
What You Have

Parts	Quantity
1. Mounting Bracket	1
2. Down Rod Assembly	1
3. Canopy	1
4. Top Motor Housing	1
5. Fan Housing & Motor	1
6. Light Kit Glass	1
7. Blades (Sold Separately)	5
8. Blade Arms	5
9. 60W Candelabra Bulbs	2
10. TCS Remote	1
11. Balance Kit	1



Screw Package

Screw Package	Quantity
S1. Wood Screws & Washers	2
S2. Screws (for Canopy)	3
S3. Bracket Screws & Washers	2
S4. Blade Screws	16
S5. Motor Screws	11
S6. Wire Connectors	3
S7. Safety Bolt & Nut	1
S8. "J" Hook	1
S9. Zip Tie	1
S10. Glass Mounting Screw & Nut	1
S11. Finial	1



Preparation

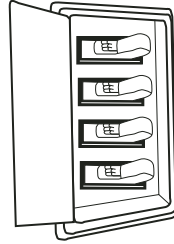
! **Important:** When using an existing outlet box, be sure the box is securely attached to the building structure and can support the full weight of the fan. Failure to do so can result in serious injury or death.

1

Step 1

Turn off circuit breakers and wall switch to the fan supply line leads.

! **Warning:** Failure to disconnect power supply prior to installation may result in serious injury or death. To reduce the risk of shock, this fan must be installed with an isolating wall control/switch.



2

Step 2

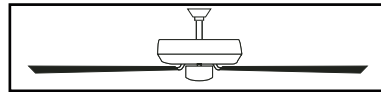
Determine mounting method to use.

A. Downrod Mount

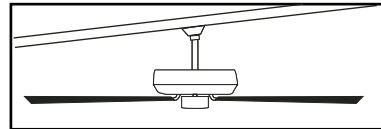
B. Angle Mount

Craftmade Part #45AD (see dealer)

IMPORTANT: If using the angle mount method, check to make sure the ceiling angle is not steeper than 35°. Angles greater than 35° will require a 45° angle adapter.



Downrod Installation
(Normal Ceilings)

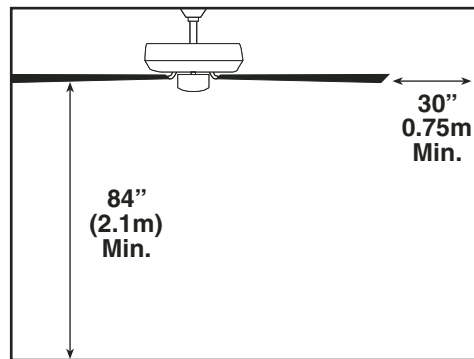


Downrod Installation
(Vaulted Ceilings)

3

Step 3

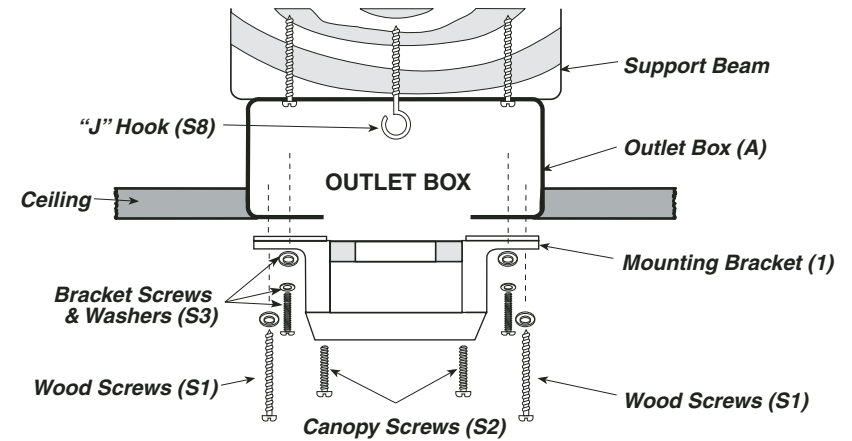
Check to make sure blades are at least 30" from any obstruction. Check downrod length to ensure blades are at least 7' above the floor.



4

Step 4

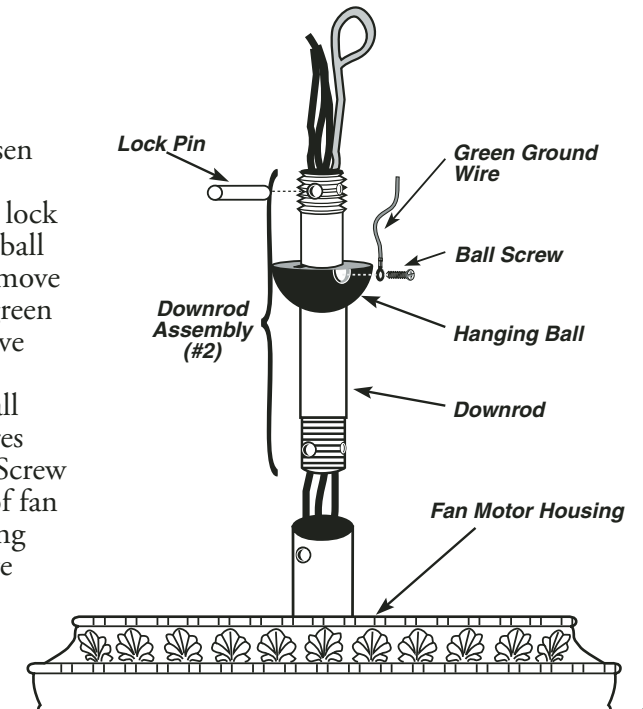
Prior to securing mounting bracket, screw "J" hook (S8) into ceiling outlet box as a secondary support means. Secure mounting bracket (#1) to the outlet box (A) by tightening bracket screws & washers (S3) as shown. If not mounting to an outlet box, use wood screws (S1) and washers (S3) and mount securely to ceiling beam. **Be sure at this point to insert canopy screws (S2) in bracket.** NOTE: Do not mount directly to sheet rock or ceiling tile. NOTE: J Hook installation is a Canadian requirement only.



5

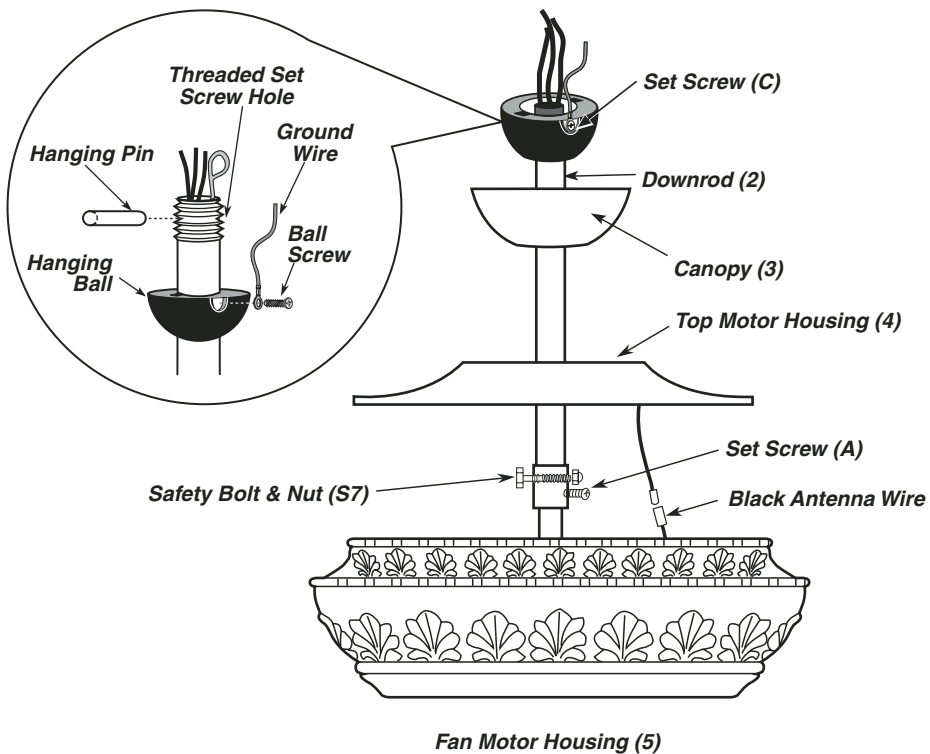
Step 5

Locate downrod assembly (#2). Loosen ball screw on black hanging ball to free lock pin. Black hanging ball will slide down. Remove ground screw and green ground wire. Remove hanging ball from downrod and save all parts. Insert fan wires through downrod. Screw downrod into top of fan motor housing, being careful that wires are pulled through.



6**Step 6**

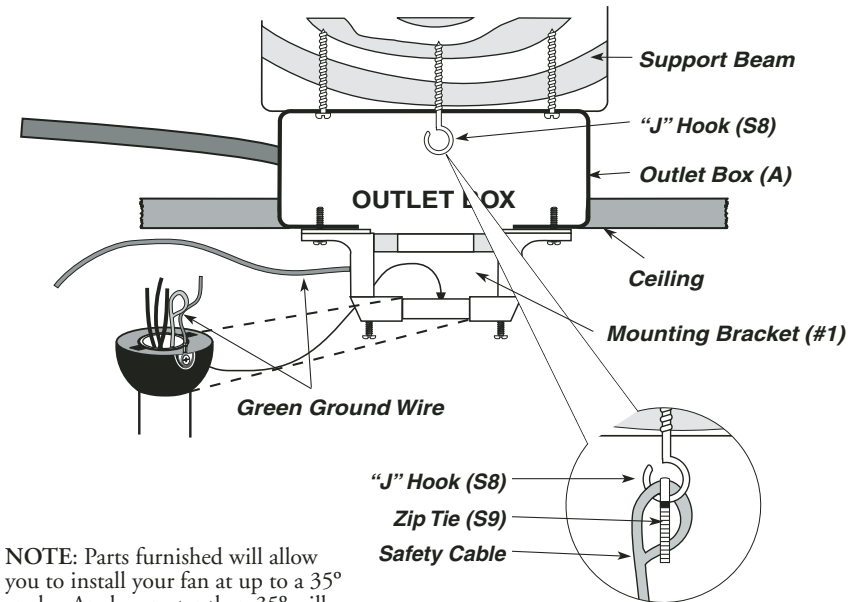
Position downrod so the hole in the downrod aligns with the hole in the coupling on the motor. Insert safety bolt (S7) through coupling and downrod and attach nut. Tighten firmly. Tighten set screw "A" against downrod. Place top motor housing (4) over downrod assembly. Place canopy (3) over downrod (2). Attach black antenna wire plug from top motor housing to black antenna wire plug on motor housing. Make sure connections are fully snapped together. Replace hanging ball, insert hanging pin through downrod and tighten set screw "C" in hanging ball into downrod.



WARNING: Failure to completely tighten downrod as described in steps 5 & 6 above could result in the fan loosening and possibly falling. **IMPORTANT:** Black antenna wire must be connected for fan to function.

7**Step 7**

For added security, attach safety cable from fan unit to "J" hook (S8) in outlet box. Secure by looping zip tie (S9) through safety cable and "J" hook. Tighten zip tie securely. Lift fan onto the mounting bracket (#1). Turn housing until hanging ball seats itself into ball socket (listen for click).



NOTE: Parts furnished will allow you to install your fan at up to a 35° angle. Angles greater than 35° will require a 45° angle adapter (see dealer).

NOTE: J Hook installation is a Canadian requirement only.



WARNING: To reduce the risk of fire, electric shock or personal injury, mount so outlet box marked "acceptable for fan support" and use mounting screws provided with the outlet box. Most outlet boxes commonly used for the support of lighting fixtures are not acceptable for fan support and may need to be replaced. Consult a qualified electrician if in doubt.

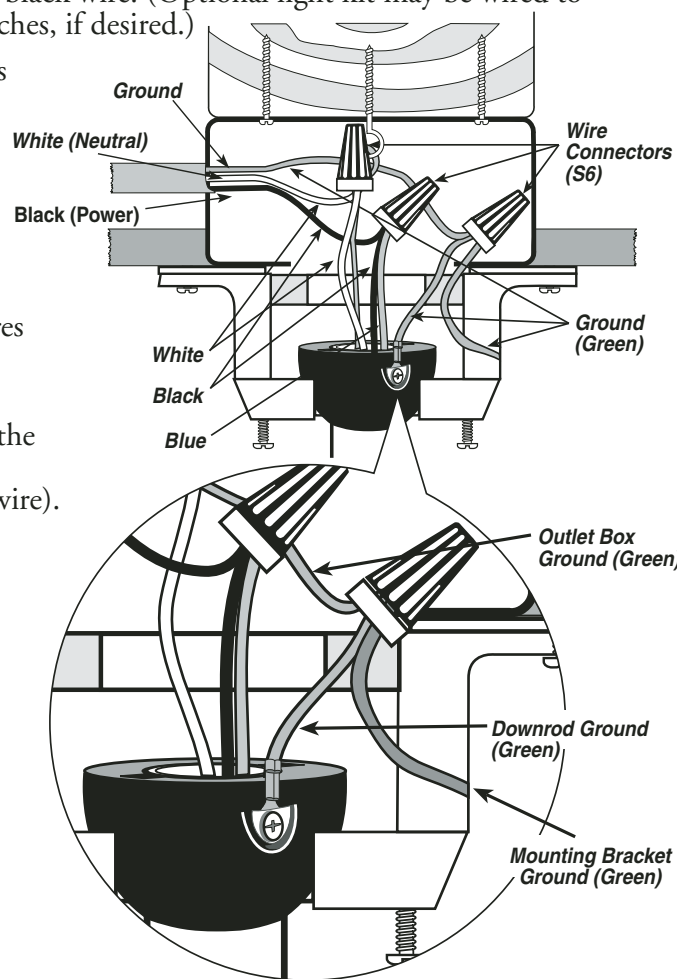
8

Step 8

1. Connect fan wires to ceiling wires: white fan wire to white outlet wire, black to black and green to green. Wire connectors (S6) are provided for your convenience. If an additional blue wire is present then also connect the blue wire to the black wire. (Optional light kit may be wired to individual wall switches, if desired.)

2. After connections are made, turn splices upward and push carefully into outlet box. Separate blue and black wires on one side of the box, and white and green wires on the other side.

There are 4 colored wires coming from the top of the motor (including ground wire).



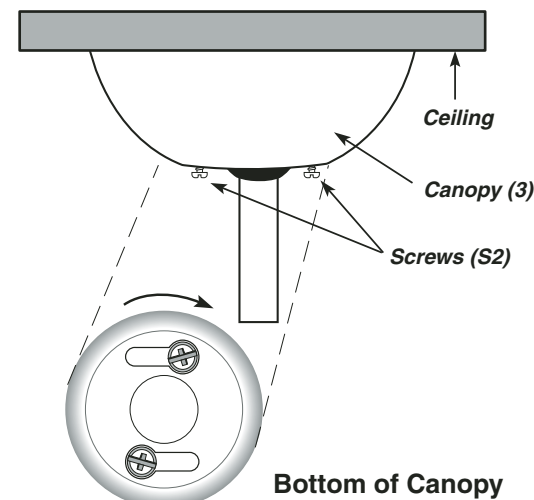
Wire Connections

Outlet Box	Fan Wires
Black	Black (Hot wire for fan)
Green	Green (Ground wire)
White	White (Neutral wire)
Black	Blue (Light kit wire)

9

Step 9

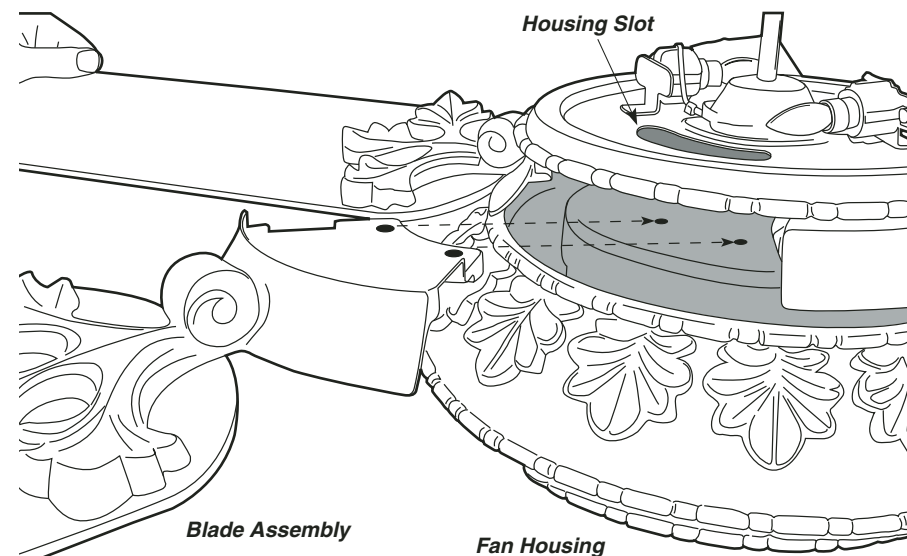
Attach canopy (3) to the mounting bracket by placing screws (S2) into slot in canopy. Twist clockwise to lock into place. Tighten screws firmly.



10

Step 10

Assemble blade arm and blade and insert into Fan Housing. A slot (as shown in Step 10) allows you to tighten the blade assembly to the Fan Housing. Rotate slot to secure all five blade assemblies. Tighten securely.

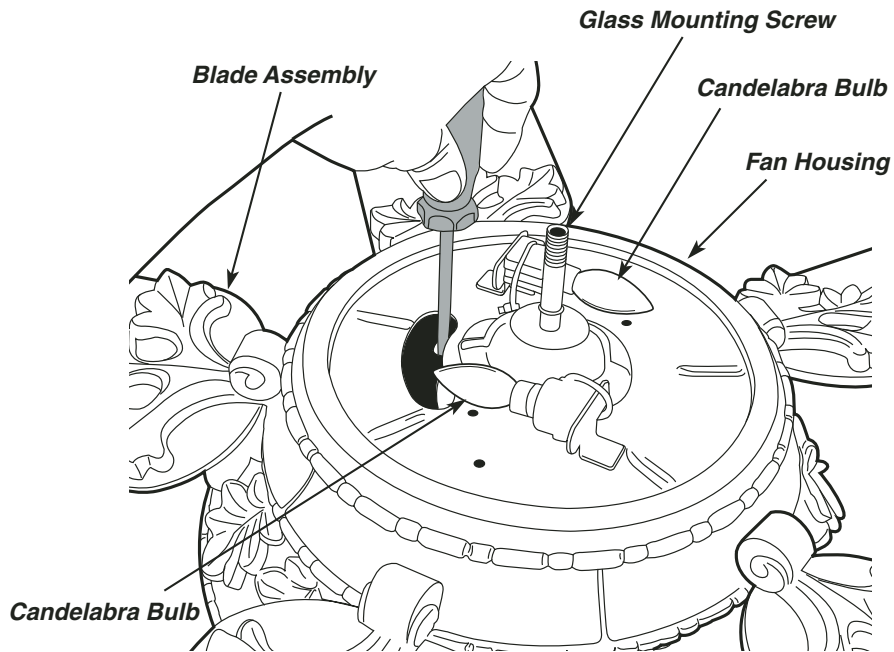


CAUTION:

Install blade holders to motor only after motor installation is complete. This will prevent damage to the blade holders which have been carefully balanced.
IMPORTANT: Remove rubber cushions, saving motor screws for installation.

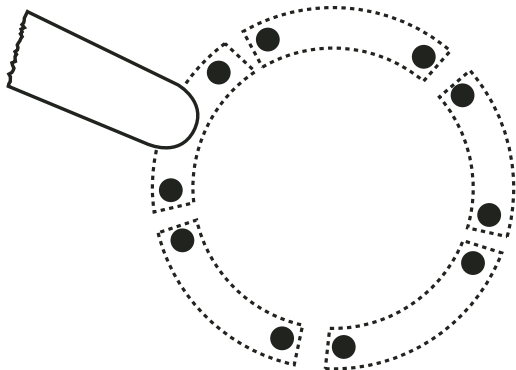
11**Step 11**

For blade assembly, position slot on fan motor housing so that you can access the screws (as shown in figure below). Screw in the Glass Mounting Screw and the Candelabra bulbs.

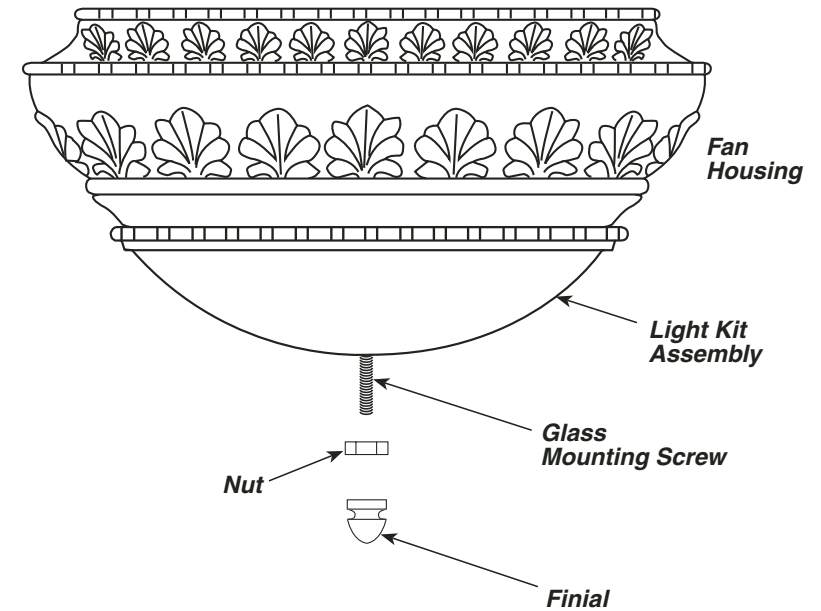


CAUTION: Handle bulb using the protective bulb covering provided as touching the glass with fingers will reduce the life of the bulb.

Remove rubber cushions, saving motor screws for blade installation. Using motor screws (S5) provided, line up holes from the blade arm with the holes in the motor housing. Tighten screws securely.

**12****Step 12**

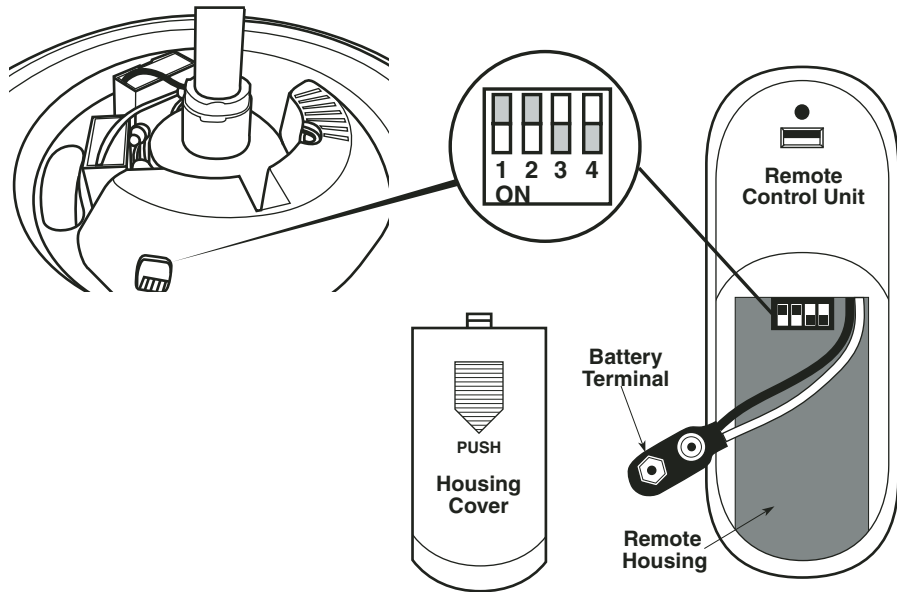
Attach Light Kit Assembly to the Fan Housing and secure using the Finial (as shown below).



Setting Frequency Switches

The remote control unit is operated by a set of frequency switches and are preset at the factory. The switches are located on the back of the remote control unit and in the top motor housing of the fan on the receiving module. The switches can be set in any position as long as both the wall unit and receiving module switches are set the same. All (RF) modules & Transmitters come from the factory with the dip switches set in the (ON) position.

To replace battery, simply push down on tab and slide housing cover off. Snap 9-Volt battery onto wire terminal and replace into remote housing. Slide housing cover back onto remote control unit.



Operation Instructions

HIGH
MEDIUM
LOW

Controls fan motor speed. To select desired speed, press button once and release

REVERSE

Controls direction of fan blades. To reverse fan blades, press once and release.

FAN OFF

Turns fan motor speed off. Press once to turn off. To start motor speed again, hit one of the motor speed buttons.

L-1

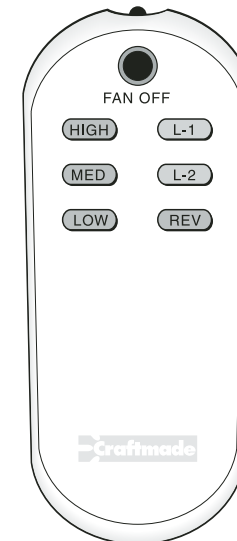
Controls the on/off and intensity for **side body lighting (if applicable)**. Push and release for on/off function. Hold down for full range light dimming.

L-2

Controls the on/off and intensity for the **integrated bottom light kit**. Push and release for on/off function. Hold down for full range light dimming.

NOTE:

The "High", "Medium" or "Low" buttons may be used to start the fan motor. The speed of the fan may be changed at any time.



Electrical Connections

Connect black and blue (if provided) fan wires to black outlet wire. Connect white fan wire to white outlet wire and green grounding lead wire from the grounding conductor to the supply circuit (see figure A). Use wire connectors provided with your fan. No loose strands or loose connections should be present. After wires have been connected, they must be spread apart so the green and white are on one side of the outlet box and the black and blue are on the other side. Turn splices upward and carefully push all wiring into outlet box. For optional wall control see figure B or Figure C for alternate wiring. When wall switches are employed, switches should be UL listed for use with ceiling fan.

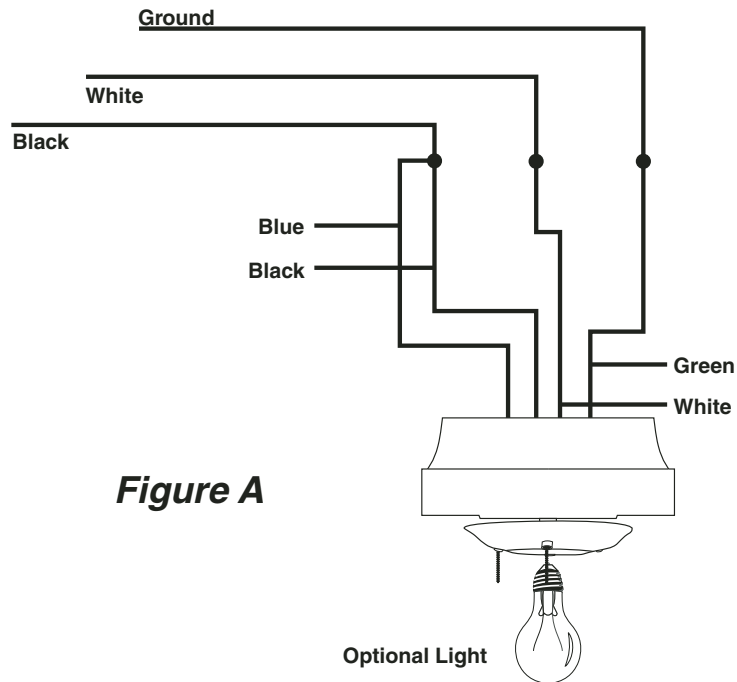


Figure A

Electrical Connections Continued...

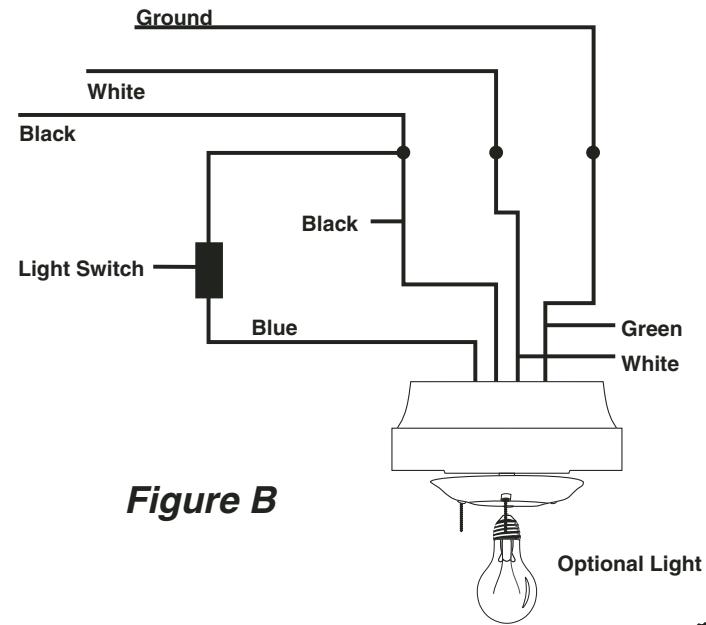


Figure B

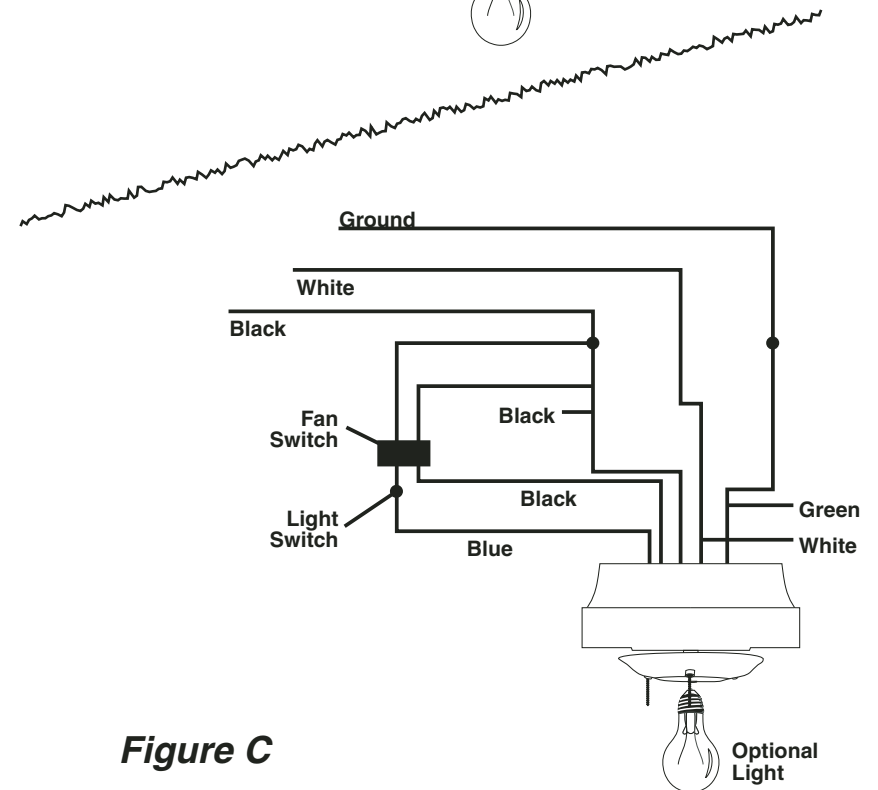


Figure C

Common Problems

Problem A: Fan Will not Start

- Remedies:
1. Check fuse or circuit breaker and replace if necessary
 2. Turn off electrical power and check all wire connectors.
 3. Check on/off TCS and wall control selector switch. See operation instructions.

Problem B: Fan is Excessively Noisy

- Remedies:
1. Check that all screws in fan assembly are tight and properly seated.
 2. Check to make sure mounting bracket is installed properly.
 3. Check to make sure light kit and glass reinstalled properly and tight.
 4. If wall control is used, insure the wall control is not a transformer or a variable speed type.

Problem C: Fan Wobbles

- Remedies:
1. Check that all blades are screwed firmly into blade holders.
 2. Check that all blade holders are screwed firmly into motor.
 3. Check the weight of blades. All our blades are weighed on electronic scales. The weight is marked on the reverse side of the fan blade near the motor end. All of the blades should be the same weight to prevent fan from wobbling.
 4. A balancing kit is enclosed if needed.

Weight: The weight of the complete fan, including assembly hardware is 24 lbs.



Ventiladores de Pavilion

PV52

Lea y conserve estas precauciones de seguridad

1. Apague la electricidad con el interruptor principal antes de cablear o dar servicio al ventilador para evitar posibles choques eléctricos.
2. Todo el cableado eléctrico debe acatar los códigos eléctricos nacionales (ANSI/NFPA 70-1999) y los códigos eléctricos locales. Un electricista capacitado debe realizar la instalación eléctrica.
3. Después de realizar las conexiones de cableado, deben separarse los cables con el conductor a tierra y el conductor de tierra del equipo en un lado de la caja de salida y el conductor sin tierra al otro lado de la caja de salida.
4. Una vez efectuados los empalmes deben girarse hacia arriba y empujarse con cuidado dentro de la caja de salida.
5. El conductor de un ventilador identificado como conductor a tierra debe conectarse al conductor a tierra de un suministro de alimentación, el conductor de un ventilador identificado como conductor sin tierra debe conectarse a un conductor sin tierra del suministro de alimentación; el conductor de un ventilador identificado para conectar a tierra el equipo debe conectarse a un conductor para tal efecto.
6. No debe montarse el ventilador en un área donde pueda mojarse
7. Para aminorar el riesgo de un incendio, choque eléctrico o lesión personal, móntelo a una caja de salida adecuada para soportar el ventilador ("Acceptable for Fan Support") y utilice los tornillos de montaje incluidos con la caja de salida.
8. Por motivos de seguridad y para obtener óptimos resultados, recomendamos que pida a un electricista capacitado ensamblar e instalar el ventilador.
9. ADVERTENCIA: Para reducir el peligro de incendio o choque eléctrico, no use este ventilador con ningún dispositivo de control de velocidad de estado sólido.
10. Para aminorar el riesgo de una lesión personal, no doble los soportes de las aspas al instalar los soportes, equilibrar las aspas o limpiar el ventilador. No introduzca objetos extraños entre las aspas giratorias del ventilador.

Antes del montaje

1. Revise que el voltaje (120) del ventilador sea compatible con su propio sistema eléctrico.
2. Compruebe que la caja contenga todas las piezas mencionadas en la lista correspondiente.

NOTA: Cuando se extraiga el motor de la caja, póngalo sobre un paño suave para evitar dañar la superficie ornamental.

PRECAUCIÓN: Antes de instalar, elija una ubicación para montar el ventilador donde las aspas tengan por lo menos 7 pies (2.1 m) de altura desde el piso y todo objeto. Monte una caja de salida en el cielo raso o use una caja existente.

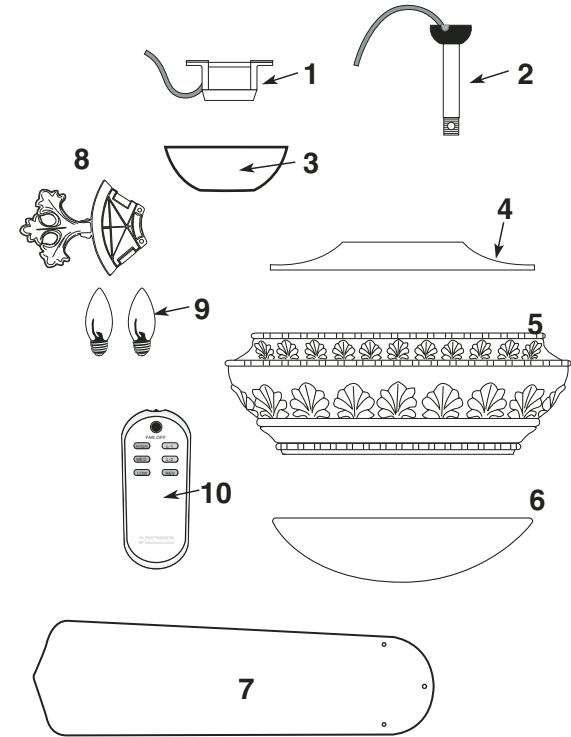
PRECAUCIÓN: No monte el ventilador en materiales de tipo tablaroca o paneles de yeso. Para asegurar un soporte adecuado use los dos tornillos para madera (1) para asegurar el soporte de montaje a la viga. Si la ubicación que ha seleccionado no tiene una viga de soporte que sirva, instale una abrazadera de 2" x 4" (5 x 10 cm) entre las vigas del cielo raso para soportar el ventilador.

Herramientas necesarias

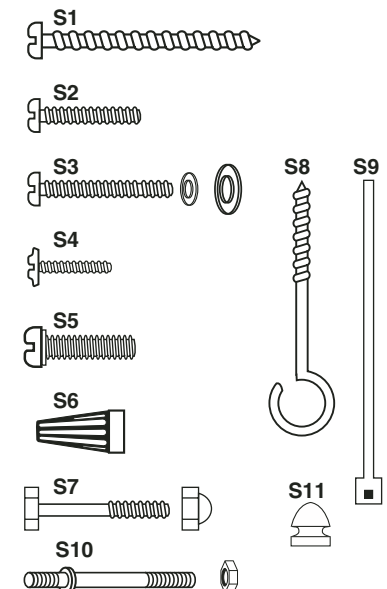


Componentes Incluidos

Piezas	Cantidad
1. Soporte de montaje	1
2. Ensamblaje de vara hacia abajo, se suministra vara 6 pulg. (5 y 15 cm)	1
3. Cúpula	1
4. Cubierta superior del motor	1
5. Caja del ventilador y motor	1
6. Cristal del juego de luz	1
7. Aspas (incluido)	1
8. Brazos de las aspas	5
9. Bombillas de candelabras	5
10. TCS Remote	2
11. Juego de equilibrio	1



Paquete de herraje	Cantidad
S1. Tornillos para madera y arandelas	2
S2. Tornillos (para la cúpula)	3
S3. Tornillos de soporte y arandelas	2
S4. Tornillos de las aspas	16
S5. Tornillos del motor	11
S6. Conectores de cables	3
S7. Perno y tuerca de seguridad	1
S8. "El Cancho "J"	1
S9. Amarra	1
S10. Tornillo Y Tuerca Del Montaje para el cristal	1
S11. Finial	1



Preparación

! **Importante:** Al utilizar una caja de salida existente, revise que la caja esté conectada firmemente a la estructura de la edificación y que pueda soportar el peso total del ventilador. De lo contrario puede ocasionar lesiones graves o fatales.

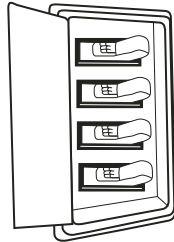
1

Paso 1

Apague los disyuntores y el interruptor de la pared hacia los conductores de suministro del ventilador.



Advertencia: Si no se desconecta el suministro de alimentación antes de la instalación puede ocasionar lesiones graves o fatales. Este ventilador debe instalarse con un interruptor/control aislante de pared para reducir el riesgo de electrochoque.

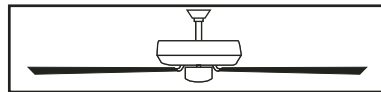


2

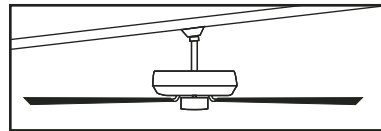
Paso 2

Determine el método de montaje a usar.

- A. Montaje con vara hacia abajo
- B. Montaje angular
Pieza Craftmade 45AD
(consulte al distribuidor)



*Instalación con vara hacia abajo
(cielos rasos normales)*



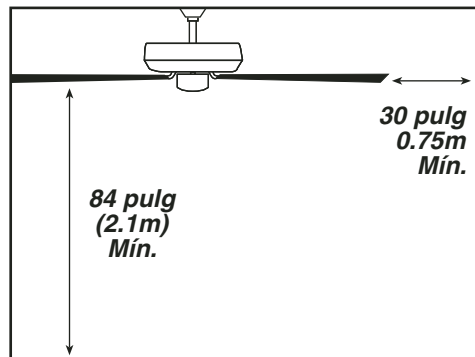
*Instalación con vara hacia abajo
(cielos rasos abovedados)*

IMPORTANTE: Si utiliza el método de montaje angular, revise que el ángulo del cielo raso no supere los 35°. Los ángulos mayores de 35° necesitarán un adaptador angular de 45°.

3

Paso 3

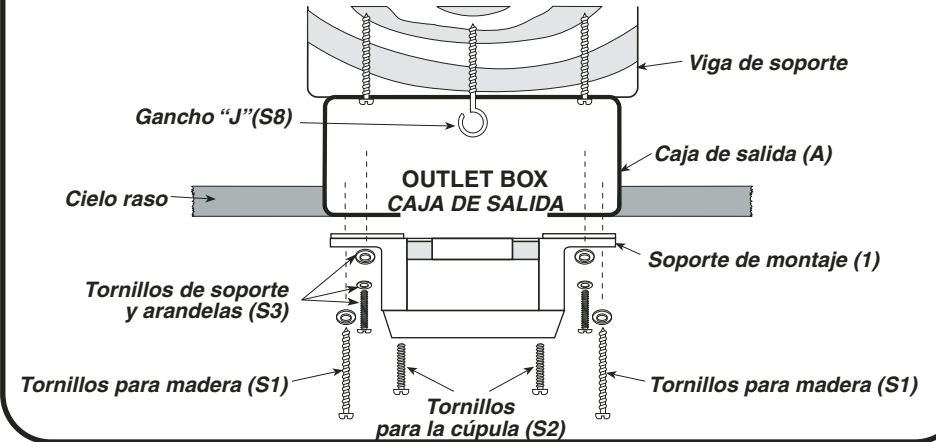
Revise que las aspas queden por lo menos a 30" (76 cm) de toda obstrucción. Compruebe la longitud de la vara hacia abajo para que las aspas queden por lo menos a 7 pies (2 metros) del piso.



4

Paso 4

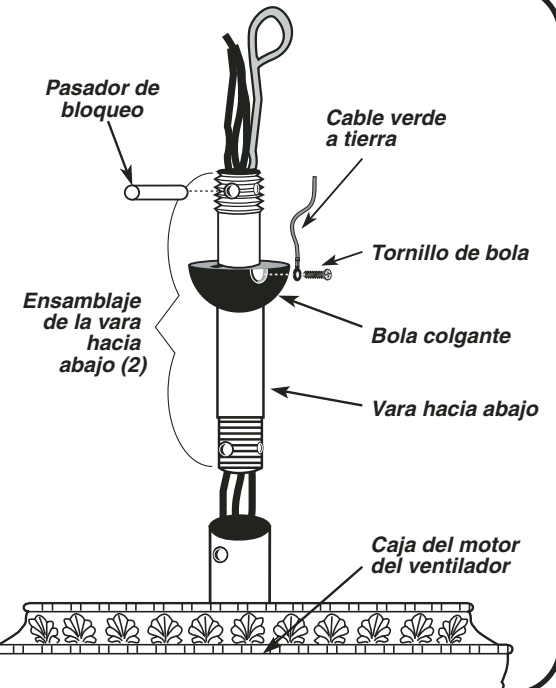
Antes de sujetar el soporte de montaje, atornille el gancho "J" (S8) en la caja de salida del techo como medio de soporte secundario. Asegure el soporte de montaje (1) a la caja de salida (A) apretando los tornillos del soporte y las arandelas (S3) como se muestra. Si no se monta en una caja de salida, use tornillos para madera (S1) y arandelas (S3), montando firmemente en una viga del cielo raso. **En este punto deben insertarse los tornillos de cúpula (S2) en el soporte.**
NOTA: No monte directamente en paneles de yeso o láminas de techo.
NOTA: La instalación del Gancho J es un requisito canadiense sólo.



5

Paso 5

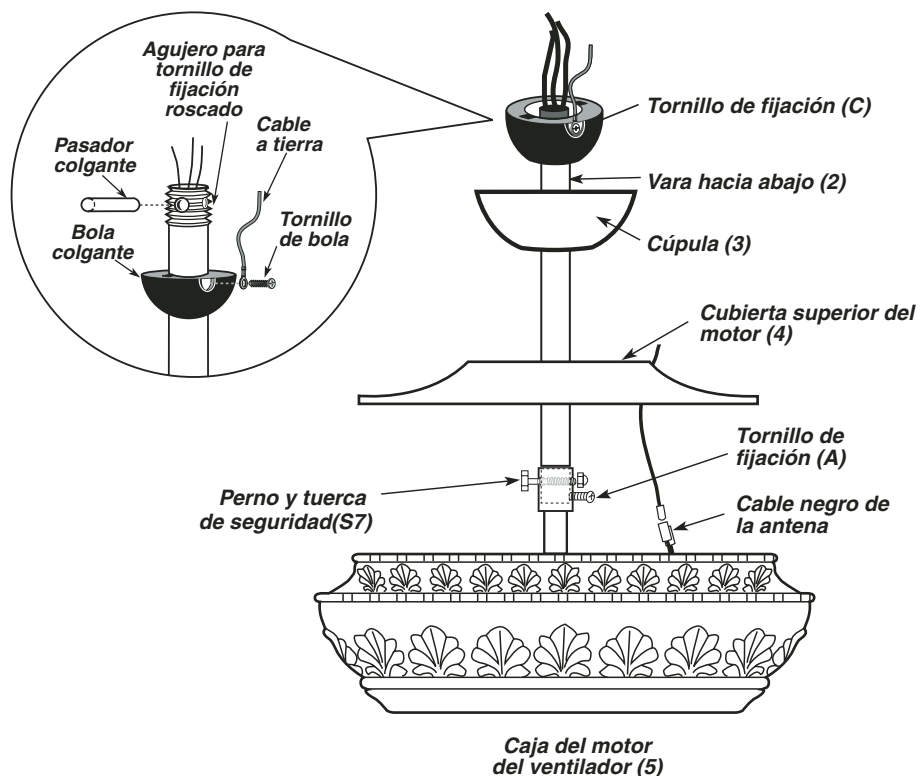
Ubique el ensamblaje de la vara hacia abajo (2). Suelte el tornillo de la bola negra colgante para liberar el pasador de bloqueo. La bola negra colgante se deslizará hacia abajo. Retire el tornillo a tierra y el cable a tierra de color verde. Retire la bola colgante de la vara hacia abajo y guarde todas las piezas. Inserte los cables del ventilador por la vara hacia abajo. Atornille la vara hacia abajo en el extremo superior de la caja del motor del ventilador, teniendo cuidado que hayan pasado los cables.



6

Paso 6

Sitúe la vara hacia abajo de manera que el agujero en la misma quede alineado con el agujero en el acoplamiento del motor. Inserte el perno de seguridad (S7) en el acoplamiento y la vara hacia abajo e instale la tuerca. Apriete bien. Apriete el tornillo de fijación "A" contra la vara hacia abajo. Coloque la cubierta de la brida (4) sobre el ensamblaje de la vara hacia abajo hasta que cubra la brida. Coloque la cúpula (3) sobre la vara hacia abajo (2). Una el cable de contacto negro de la antena proveniente de la cubierta superior del motor al cable de contacto negro de la antena que está en la cubierta del motor. Asegúrese de que las conexiones enganchen perfectamente. Reinstale la bola colgante, inserte el pasador colgante en la vara hacia abajo y apriete el tornillo de fijación "C" en la bola colgante al interior de la vara hacia abajo.

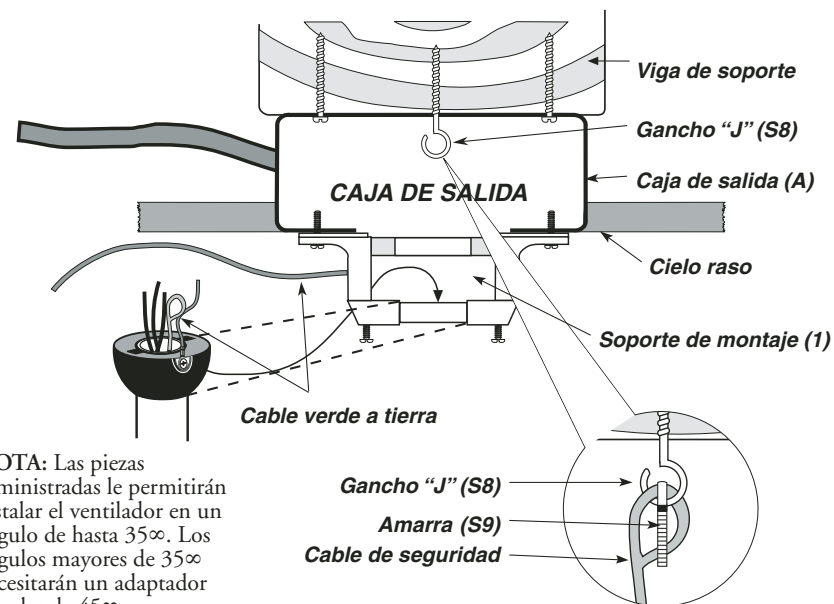


ADVERTENCIA: Si no se aprieta totalmente la vara hacia abajo como se describe en los pasos 5 y 6 anteriores podría soltarse y tal vez caerse el ventilador. **IMPORTANTE:** El cable de antena negro debe estar conectado para que el ventilador funcione.

7

Paso 7

Para mayor seguridad, instale un lazo de alambre de acero desde el ventilador al gancho "J" (S8) en la caja de salida. Sujételo pasando la amarra (S9) por el cable de seguridad y el gancho "J". Apriete bien la amarra. Levante el ventilador hacia el soporte de montaje (1). Gire la caja hasta que la bola colgante se asiente en el hueco de la bola (se debe escuchar un chasquido).



NOTA: Las piezas suministradas le permitirán instalar el ventilador en un ángulo de hasta 35°. Los ángulos mayores de 35° necesitarán un adaptador angular de 45° (consulte con el proveedor).

NOTA: La instalación del Gancho J es un requisito canadiense sólo.



ADVERTENCIA: Móntelo en la caja de salida marcada "acceptable for fan support" (aceptable como soporte del ventilador) con los tornillos suministrados con la caja para reducir el riesgo de incendio o lesiones personales. La mayoría de las cajas de salida de uso común para el soporte de portalámparas no son aceptables para el soporte del ventilador y podría ser necesario reemplazarlas. Consulte con un electricista competente en caso de dudas.

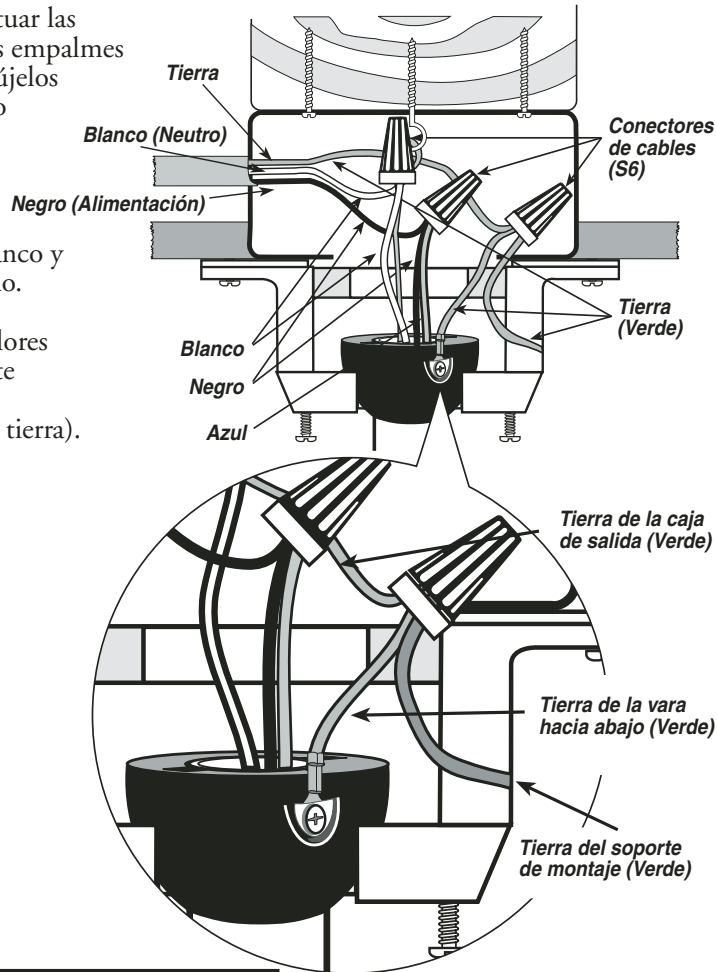
8

Paso 8

1. Conecte los cables del ventilador a los del techo: el cable blanco del ventilador con el cable blanco de salida, negro con negro y verde con verde. Se incluyen los conectores de cables (S6) para su conveniencia. Si hay un cable azul adicional, conéctelo también con el cable negro. (El paquete de iluminación opcional puede cablearse a interruptores individuales de pared, si se prefiere.)

2. Después de efectuar las conexiones, gire los empalmes hacia arriba y empújelos con cuidado dentro de la caja de salida. Separe los cables azul y negro en un lado de la caja y los cables blanco y verde en el otro lado.

Hay 4 cables de colores que salen de la parte superior del motor (incluido el cable a tierra).



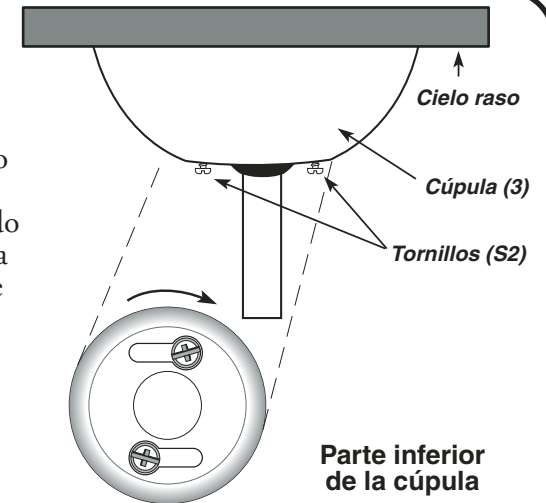
Conexiones de cables

Caja de salida	Cables del ventilador
Negro	Negro (Cable energizado para el ventilador)
Verde	Verde (Cable a tierra)
Blanco	Blanco (Cable neutro)
Azul	Azul (Cable del paquete de luces)

9

Paso 9

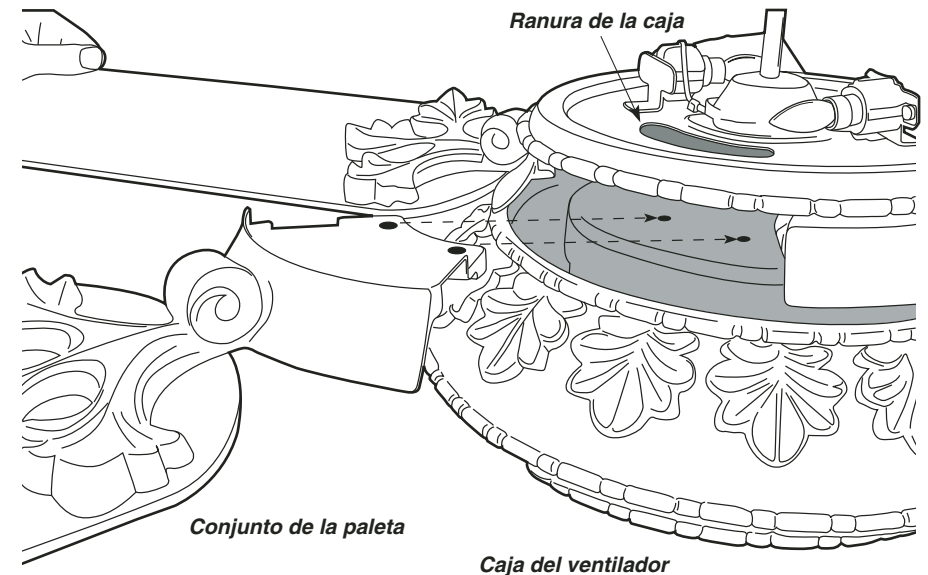
Instale la cúpula (3) en el soporte de montaje colocando los tornillos (S2) en la ranura de la cúpula. Gire en el sentido de las manecillas del reloj para bloquearla en su sitio. Apriete los tornillos firmemente.



10

Paso 10

Arme el brazo y la paleta e insértelos en la caja del ventilador. Una ranura (tal como se muestra en el Paso 10) le permite apretar el conjunto de la paleta en la caja del ventilador. Gire la ranura para sujetar los cinco conjuntos de paletas. Apriete firmemente.

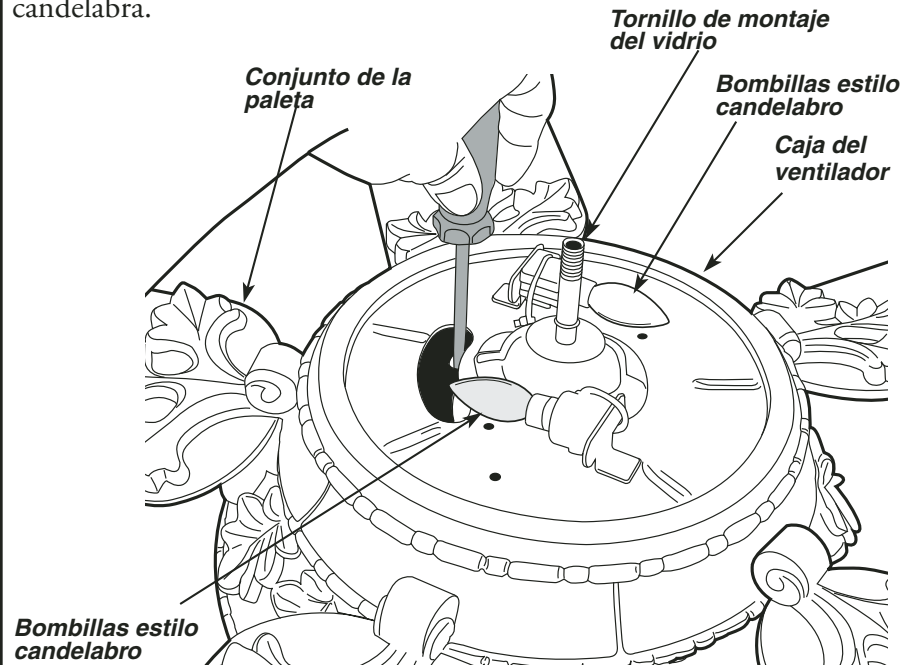


PRECAUCIÓN:

Instale los soportes de aspas en el motor solamente después de terminar la instalación del motor. Esto evitará daños a los soportes de las aspas, los cuales se han balanceado minuciosamente. **IMPORTANTÉ:** Retire los cojines de goma, guardando los tornillos del motor para la instalación.

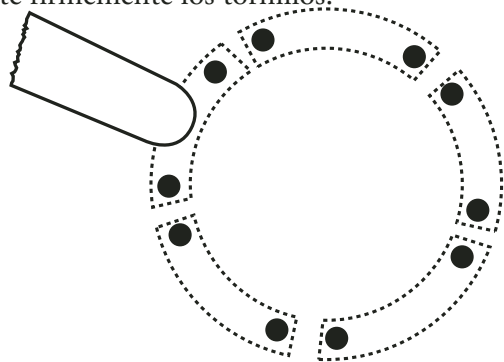
11**Paso 11**

Para instalar la paleta, sitúe la ranura sobre el buje del motor del ventilador de manera que pueda tener acceso a los tornillos (tal como se muestra en la figura de abajo). Instale el tornillo de montaje del vidrio y las bombillas de candelabra.

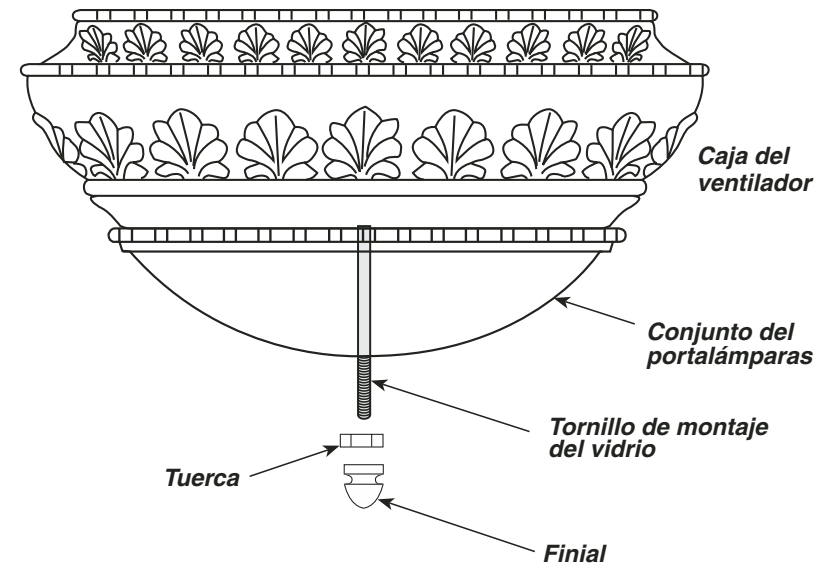


! PRECAUCIÓN: Tome la bombilla con la cubierta protectora suministrada ya que si toca el vidrio con los dedos, reducirá la vida útil de la bombilla.

Quite las almohadillas de caucho y retenga los tornillos del motor para la instalación de la paleta. Con los tornillos del motor (S5) suministrados, alinee los agujeros del brazo de la paleta con los agujeros en la caja del motor. Apriete firmemente los tornillos.

**12****Paso 12**

Conecte el portalámparas a la caja del ventilador y sujételo con la punta (tal como se muestra abajo).

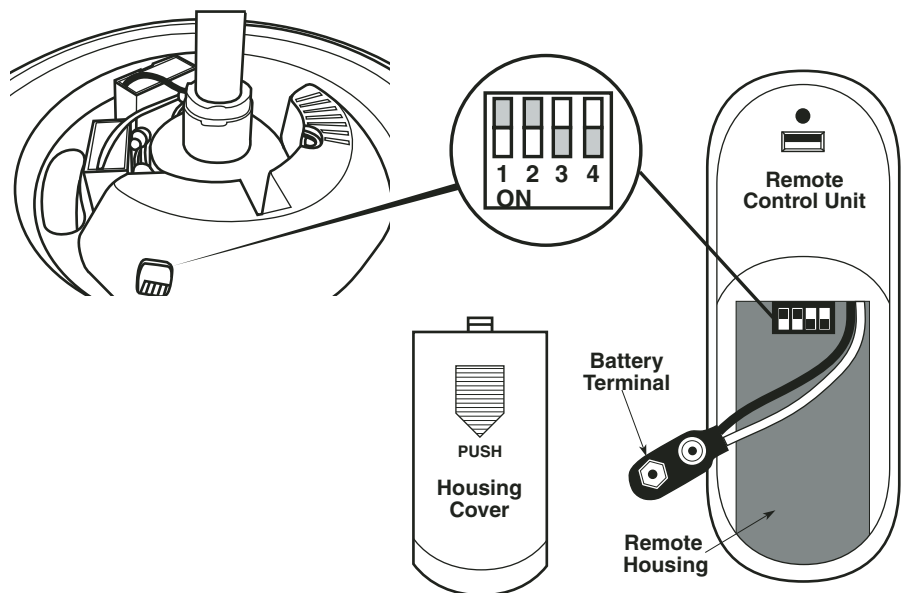


! PRECAUCIÓN: Usar de bombilla de asidero la bombilla protectora que cubre proporcionado como conmovedor el vidrio con dedos reducirá la vida de la bombilla.

Ajuste de los interruptores de frecuencia

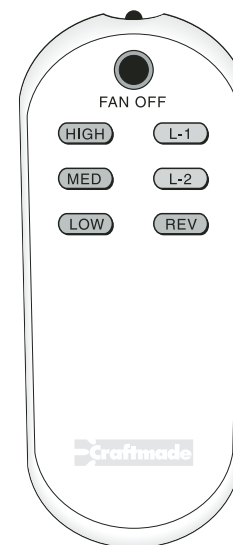
Un conjunto de interruptores de frecuencia preajustados de fábrica operan la unidad remota del control. Los interruptores están situados a la espalda de la unidad remota del control y en la cubierta superior del motor del ventilador sobre el módulo receptor. Los interruptores pueden colocarse en cualquier posición, siempre que sea la misma posición tanto para el interruptor de la unidad para la pared como el interruptor del módulo receptor. Todos los transmisores y módulos (RF) vienen de la fábrica con los interruptores "DIP" colocados en la posición de ENCENDIDO (ON).

Para reemplazar la batería, simplemente empuje la lengüeta ranurada hacia abajo y deslice la cubierta de la caja para quitarla. Conecte la batería de 9 voltios a la terminal del cable y meta todo dentro de la caja del control remoto. Deslice la tapa de la cubierta del control remoto nuevamente para cerrar la caja.



Instrucciones de uso

- ALTO** Controla la velocidad del motor del ventilador. Oprima el botón una vez y suéltelo para seleccionar la velocidad deseada.
- MEDIO**
- BAJO**
- REVERSA** Controla de dirección de las aspas del ventilador. Oprima una vez y suéltelo para invertir la dirección de las aspas del ventilador.
- VENTILADOR APAGADO** Apaga el motor del ventilador. Oprima una vez para apagar. Para arrancar nuevamente el motor, oprima uno de los botones de velocidad del motor.
- L-1** Controla el encendido y apagado (on/off) para la iluminación del cuerpo lateral (si aplicable). Empuje y suelte para apagar y encender; mantenga empujado hacia abajo para reducir toda la gama de luz.
- L-2** Controla la función de encendido y apagado (on/off) así como la intensidad para el juego opcional de luz para iluminar hacia abajo. Presione y suelte para encender y apagar; mantenga presionado hacia abajo para reducir toda la gama de luz.



Conexiones eléctricas

Conecte los cables negros del ventilador al cable negro de salida. Conecte el cable blanco del ventilador al cable blanco de salida y al cable conductor a tierra verde desde el conductor a tierra al circuito de suministro (consulte la figura A). Utilice los conectores de cable suministrados con el ventilador. No debe haber hilos sueltos ni conexiones sueltas. Gire los empalmes hacia arriba y empuje con cuidado todas las conexiones dentro de la caja de salida. Cuando se empleen interruptores de pared, estos deben ser aprobados por UL para uso con un ventilador de techo.

! PRECAUCIÓN: Siempre apague la corriente en el cortacircuitos antes de intentar conectar los cables.

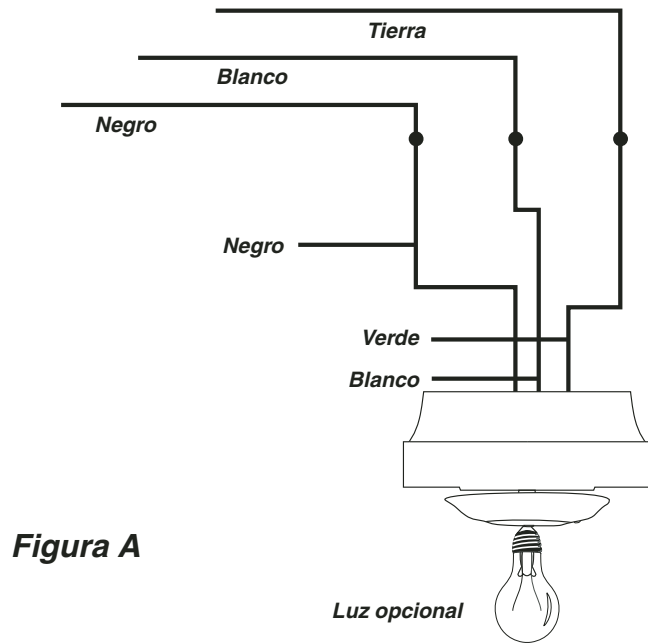


Figura A

Conexiones eléctricas Continuación...

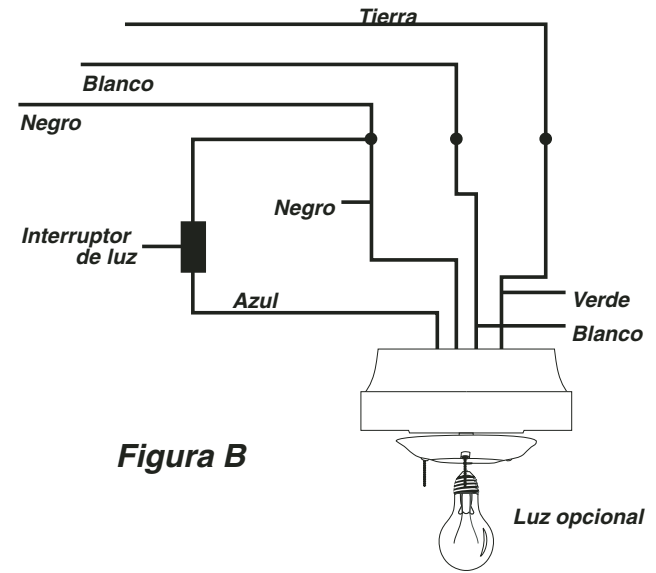


Figura B

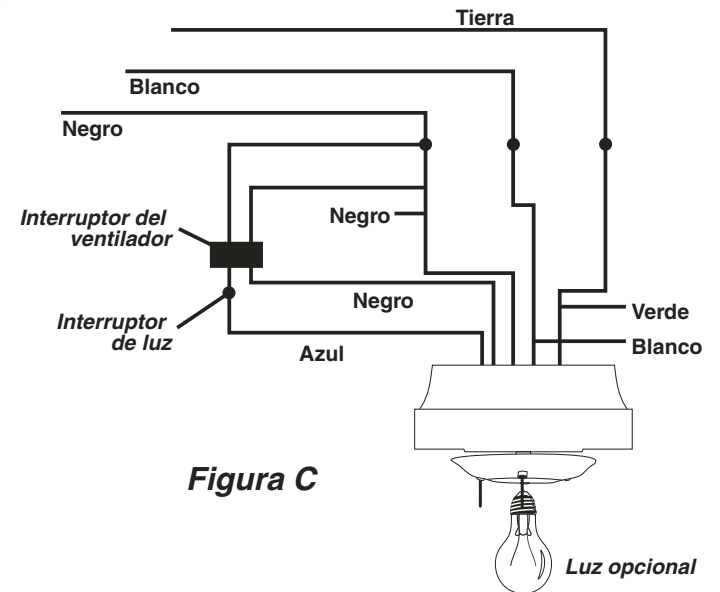
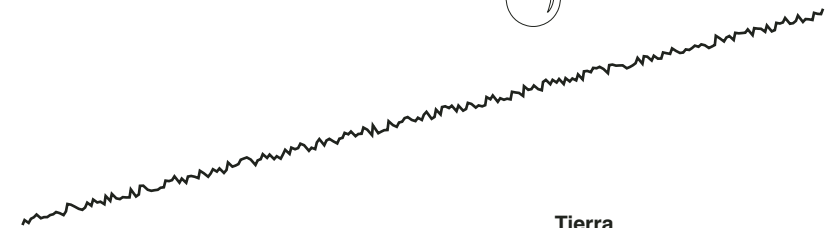


Figura C

Problemas Comunes

Problema A: El ventilador no arranca

- Soluciones:
1. Revise el fusible o disyuntor y cámbielo si es necesario.
 2. Apague la alimentación eléctrica y revise todos los conectores de cables.
 3. Inspeccione el interruptor TCS de encendido / apagado y el interruptor selector de control para la pared. Consulte las instrucciones de funcionamiento.

Problema B: El ventilador es demasiado ruidoso

- Soluciones:
1. Revise que estén apretados y debidamente asentados todos los tornillos del ensamblaje del ventilador.
 2. Compruebe que el soporte de montaje esté instalado correctamente.
 3. Compruebe que la unidad de luz y el vidrio estén correctamente instalados y apretados.
 4. Si se usa el control de pared, revise que no sea del tipo transformador o de velocidad variable.

Problema C: El ventilador se balancea

- Soluciones:
1. Revise que todas las aspas estén atornilladas firmemente en sus soportes.
 2. Revise que todos los soportes de las aspas estén atornilladas firmemente en el motor.
 3. Revise el peso de las aspas. Todas nuestras aspas se pesan en balanzas electrónicas. El peso aparece en el reverso del asa cerca del extremo del motor. Todas las aspas deben tener el mismo peso para evitar que el ventilador se balancee.
 4. Se adjunta un paquete de balanceo, si es necesario.

Peso: El peso del ventilador completo, incluido el herraje de montaje es de 24 lbs. (10.9 kg).



Ventilateurs de plafond Pavilion

PV52

Veuillez lire et conserver ces consignes de sécurité

1. Pour éviter de vous électrocuter, débranchez l'alimentation électrique au niveau de l'interrupteur principal avant de procéder au câblage ou à l'entretien du ventilateur.
2. Tout le câblage doit être effectué en accord avec le code électrique national américain (ANSI/NFPA 70-1999) et les codes électriques locaux. L'installation électrique doit être effectuée par un électricien professionnel qualifié.
3. Une fois que les connexions ont été effectuées, les fils doivent être séparés. Le conducteur mis à la masse et le conducteur de mise à la masse de l'équipement doivent être mis d'un côté de la boîte de sortie et le conducteur non mis à la masse de l'autre côté.
4. Une fois qu'elles ont été faites, les épissures doivent être tournées vers le haut et les fils doivent être soigneusement rentrés dans la boîte de sortie.
5. Le conducteur mis à la masse du ventilateur doit être branché sur le conducteur mis à la masse de l'alimentation électrique, et le conducteur non mis à la masse du ventilateur doit être branché sur le conducteur non mis à la masse de l'alimentation électrique. Le conducteur du ventilateur destiné à la mise à la masse de l'équipement doit être connecté à un conducteur de mise à la masse de l'équipement.
6. Le ventilateur ne peut être installé dans un endroit où il pourrait être mouillé.
7. Pour éviter les incendies, les décharges électriques ou les blessures, branchez le ventilateur sur une boîte de sortie marquée « Prise en charge de ventilateur » et utilisez les vis de montage fournies avec la boîte de sortie.
8. Par mesure de sécurité et pour obtenir les meilleurs résultats possibles, nous vous conseillons de faire assembler et installer votre ventilateur par un électricien professionnel.
9. ATTENTION : pour éviter les incendies ou les décharges électriques, n'utilisez jamais ce ventilateur avec un dispositif de contrôle de la vitesse à l'état solide.
10. Pour éviter de vous blesser, ne pliez jamais les supports de pales lorsque vous les installez, les équilibrez ou que vous nettoyez le ventilateur. N'insérez jamais d'objet entre les pales en mouvement du ventilateur.

Avant l'assemblage

1. Vérifiez que la tension du ventilateur (120) est compatible avec votre système électrique.
2. Assurez-vous que le carton d'emballage contient toutes les pièces mentionnées dans la liste des pièces.

REMARQUE : une fois le moteur déballé, placez-le sur un tissu doux pour éviter que sa surface décorée ne soit endommagée.

ATTENTION : avant de procéder à l'installation du ventilateur, choisissez un endroit où ses pales seront à une distance d'au moins 2 m (7 pi) de tout objet environnant et du sol. Installez une boîte de sortie au plafond ou bien utilisez une boîte existante.

ATTENTION : n'installez pas le ventilateur sur des cloisons sèches ou du plâtre. Pour que l'appareil soit correctement fixé, accrochez les supports de montage à une poutrelle ou à une poutre au moyen des deux vis à bois n° 1. Si l'emplacement choisi n'a pas de poutre de soutien acceptable, installez une armature de 2 po X 4 po entre les poutrelles du plafond pour y accrocher le ventilateur.

Outils nécessaires à l'installation



1. Tournevis Phillips

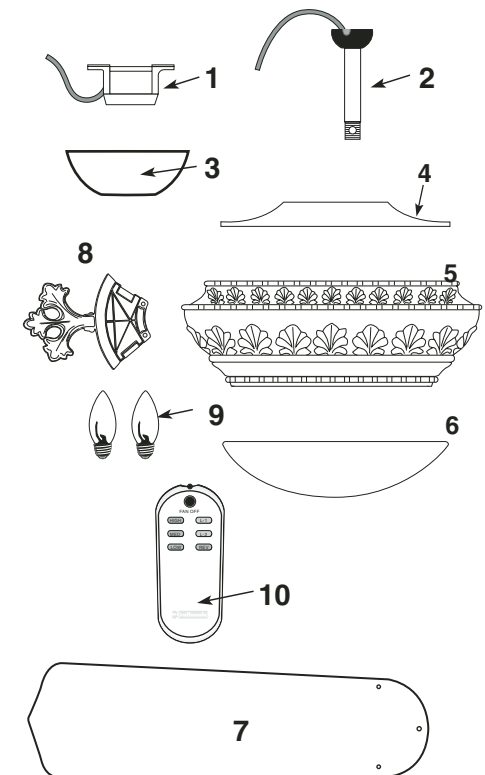
2. Tournevis plat

3. Clé réglable

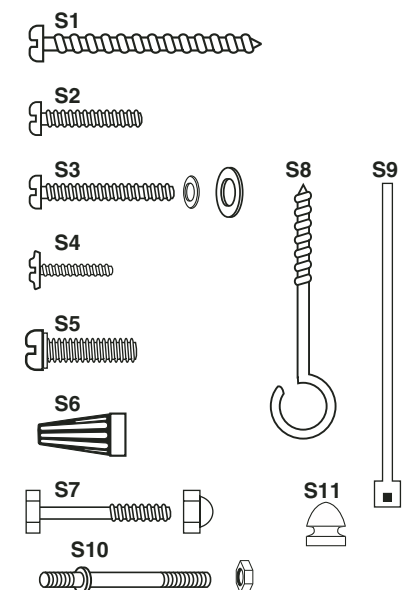
4. Pince à dénuder

Composants inclus

Pièces	Quantité
1. Support de montage	1
2. Assemblage de la tige de suspension (6 po) fournie	1
3. Coupelle	1
4. Couvre-bride	1
5. Boîtier du ventilateur et du moteur	1
6. Verre	1
7. Pales (vendues séparément)	5
8. Bras de pale	5
9. Ampoule candelabra	2
10. Télécommande TCS	1
11. Kit d'équilibrage	1



Paquet de vis	Quantité
S1. Vis à bois	2
S2. Vis (pour coupelle)	3
S3. Vis et rondelles des supports	2
S4. Vis des pales	16
S5. Vis du moteur	11
S6. Connecteurs de fils	3
S7. Boulon et écrou de sécurité	1
S8. Crochet en « J »	1
S9. Bride	1
S10. Vis et Écrou de support	1
S11. Finial	1



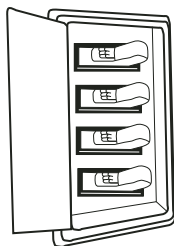
Préparation

! Important: lorsque vous utilisez une boîte de sortie existante, assurez-vous que cette dernière est correctement attachée à la structure du bâtiment et qu'elle peut soutenir le poids total du ventilateur. Le non-respect de cette consigne peut entraîner de graves blessures, voire la mort.

1

Étape 1

Désactivez les disjoncteurs et l'interrupteur mural régissant les conducteurs d'alimentation du ventilateur.



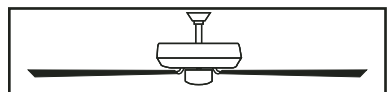
! Avertissement: le non débranchement de l'alimentation électrique avant l'installation du ventilateur peut entraîner de graves blessures, voire la mort. Pour éviter les décharges électriques, ce ventilateur doit être installé avec un interrupteur mural isolant.

2

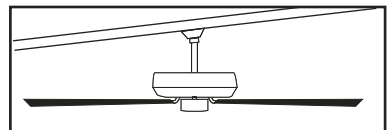
Étape 2

Choisissez la méthode de montage que vous désirez utiliser.

- A. Montage à l'aide d'une tige de suspension
- B. Montage sur une surface inclinée
Pièce Craftmade n°45AD
(consultez votre revendeur)



Montage à l'aide d'une tige de suspension (Plafonds normaux)



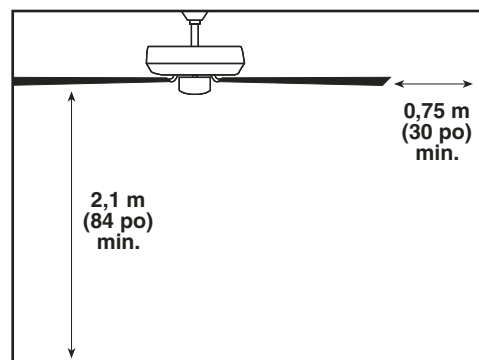
Montage à l'aide d'une tige de suspension (Plafond en pente)

IMPORTANT: si vous utilisez la méthode de montage inclinée, vérifiez que l'angle du plafond est inférieur à 35°. Si votre plafond est incliné à un angle supérieur à 35°, vous devrez utiliser un adaptateur d'angle à 45°.

3

Étape 3

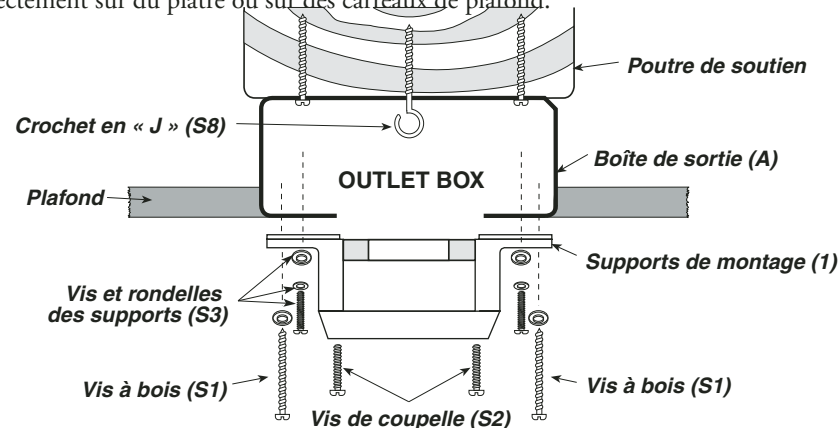
Assurez-vous que les pales du ventilateur sont à 75 cm (30 po) minimum de toute obstruction. Mesurez la tige de suspension pour vous assurer que les pales sont à au moins 2 mètres (7 pi) du sol.



4

Étape 4

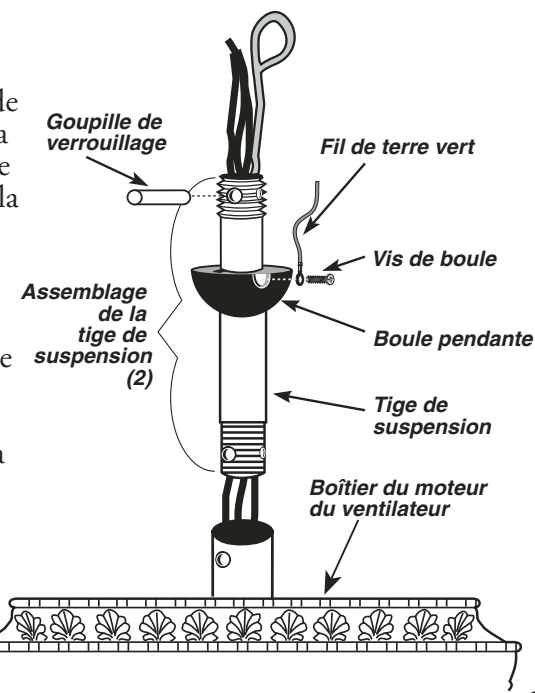
Avant de fixer le support de montage, vissez le crochet en «J» (S8) sur la boîte de sortie du plafond, pour qu'il serve de dispositif de soutien supplémentaire. Fixez le support de montage (n° 1) à la boîte de sortie (A) en resserrant les vis (S3) et les rondelles (S4) de support de la manière illustrée. Si vous n'installez pas le ventilateur sur une boîte de sortie, utilisez les vis à bois (S1) et les rondelles (S4) pour installer solidement l'appareil à une poutre du plafond. N'oubliez pas d'insérer les vis de la coupelle (S2) dans le support. REMARQUE : n'installez pas le ventilateur directement sur du plâtre ou sur des carreaux de plafond.



5

Étape 5

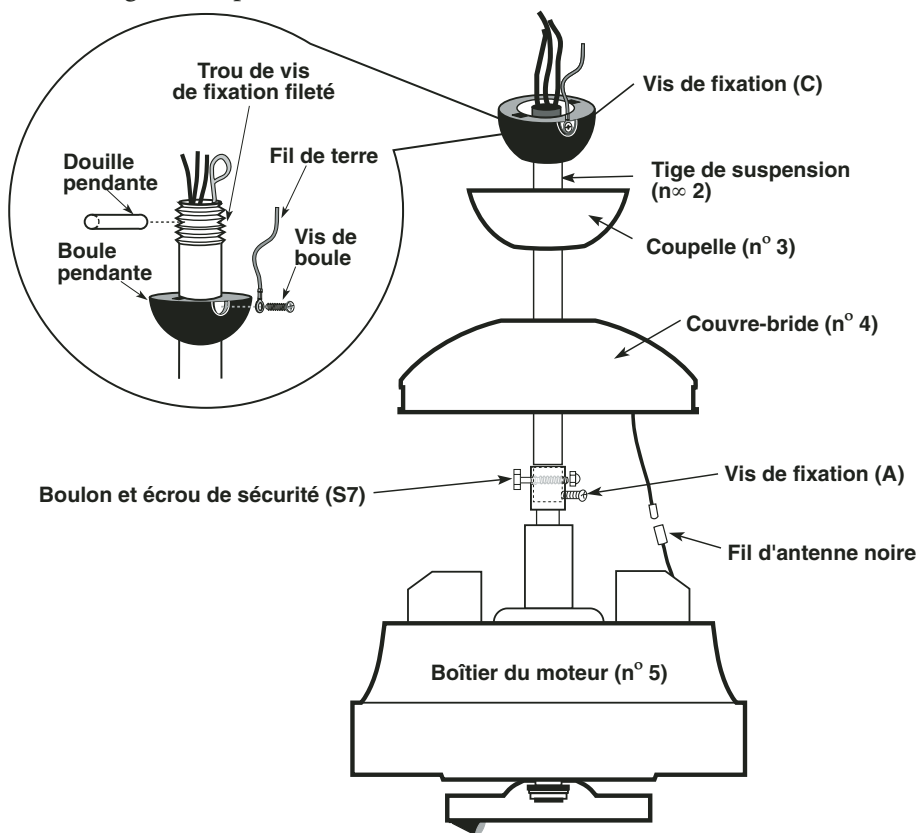
Repérez l'assemblage de tige de suspension (n° 2). Desserrez la vis de boule située sur la boule pendante noire pour dégager la goupille de verrouillage. La boule pendante noire glissera vers le bas. Retirez la vis de mise à la terre et le fil de terre vert. Retirez la boule pendante de la tige de suspension et conservez toutes les pièces. Insérez les fils du ventilateur à travers la tige de suspension. Vissez la tige de suspension dans la partie supérieure du boîtier de moteur du ventilateur, en faisant attention à ce que les fils soient complètement passés.



6

Étape 6

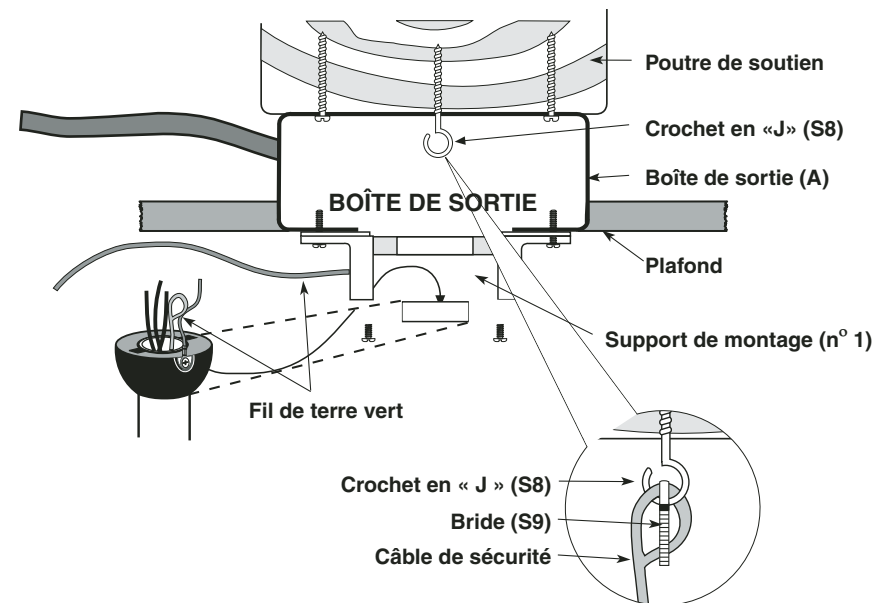
Placez la tige de suspension de manière à ce que son trou soit aligné avec celui de l'attelage du moteur. Insérez le boulon de sécurité (S7) dans l'attelage et la tige de suspension et fixez l'écrou. Serrez fermement. Serrez la vis de fixation « A » contre la tige de suspension. Enfoncez le couvre-bride (n° 4) sur l'assemblage de la tige de suspension jusqu'à ce qu'il couvre la bride. Placez la coupelle (3) sur la tige de suspension (n° 2). Fixez la prise de l'antenne noire sortant du boîtier de moteur supérieur à la prise de l'antenne noire du boîtier de moteur. Assurez-vous que les connexions sont totalement enclenchées. Remplacez la boule pendante. Pour cela, insérez la douille pendante dans la tige de suspension et serrez la vis de fixation « C » dans la boule pendante jusqu'à ce qu'elle pénètre dans la tige de suspension.



! **AVERTISSEMENT:** si vous ne serrez pas complètement la tige de suspension en suivant les instructions des étapes 5 et 6, le ventilateur peut se desserrer et éventuellement tomber. **IMPORTANT :** le fil d'antenne noir doit être connecté pour que le ventilateur fonctionne.

Étape 7

Pour plus de sécurité, attachez le câble de sécurité du ventilateur au crochet en « J » (S8) accroché dans la boîte de sortie. Fixez l'installation en faisant passer la bride (S9) dans le câble de sécurité et dans le crochet en « J ». Resserrez fortement la bride. Installez le ventilateur sur le support de montage (n° 1). Faites pivoter le boîtier jusqu'à ce que la boule pendante s'installe dans son réceptacle (vous devriez entendre un dé clic).



NOTE: les pièces fournies vous permettront d'installer votre ventilateur à un angle de 35°. Pour toute installation à un angle supérieur à 35°, vous aurez besoin d'un adaptateur d'angle à 45° (consultez votre revendeur).

NOTE: L'installation du crochet en « J » est une exigence canadienne seulement.



AVERTISSEMENT: Pour éviter les incendies, les décharges électriques ou les blessures, branchez le ventilateur sur une boîte de sortie marquée « acceptable for fan support » (prise en charge de ventilateur) et utilisez les vis de montage fournies avec la boîte de sortie. La plupart des boîtes de sortie utilisées avec les dispositifs d'éclairage ne prennent pas en charge les ventilateurs et doivent être éventuellement remplacés. En cas de doute, consultez un électricien qualifié.

8

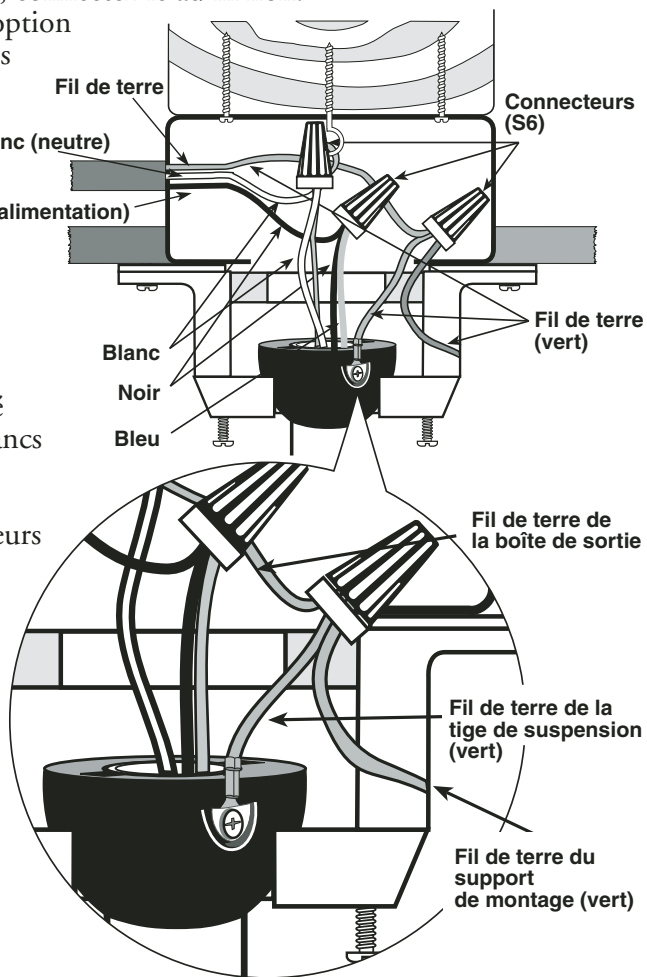
Étape 8

1. Connectez les fils du ventilateur à ceux du plafond : le fil de ventilateur blanc au fil de sortie blanc, le fil noir au fil noir et le fil vert au fil vert. Les connecteurs (S6) sont fournis au cas où vous en auriez besoin. S'il existe un fil bleu supplémentaire, connectez-le au fil noir.

(Un kit d'éclairage en option peut être connecté à des interrupteurs muraux).

2. Une fois que les connexions ont été effectuées, tournez les épissures vers le haut et faites rentrer soigneusement le câblage dans la boîte de sortie. Placez les fils bleus et noirs d'un côté de la boîte et les fils blancs et verts de l'autre côté.

Des fils de quatre couleurs différentes sortent du dessus du moteur (y compris le fil de terre).



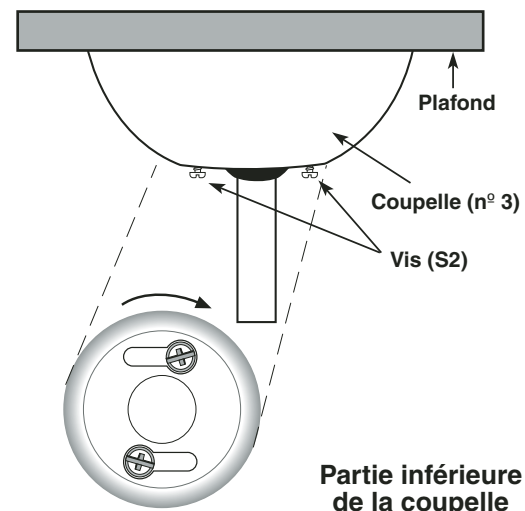
Fils de connexion

Boîte de sortie	Fils du ventilateur
Noir	Noir (Fil chargé du ventilateur)
Vert	Vert (Fil de terre)
Blanc	Blanc (Fil neutre)
Noir	Bleu (Fil du kit d'éclairage)

9

Étape 9

Fixez la coupelle (n° 3) au support de montage en insérant les vis (S2) dans ses fentes. Faites-la tourner dans le sens des aiguilles d'une montre pour l'installer. Serrez fortement les vis.

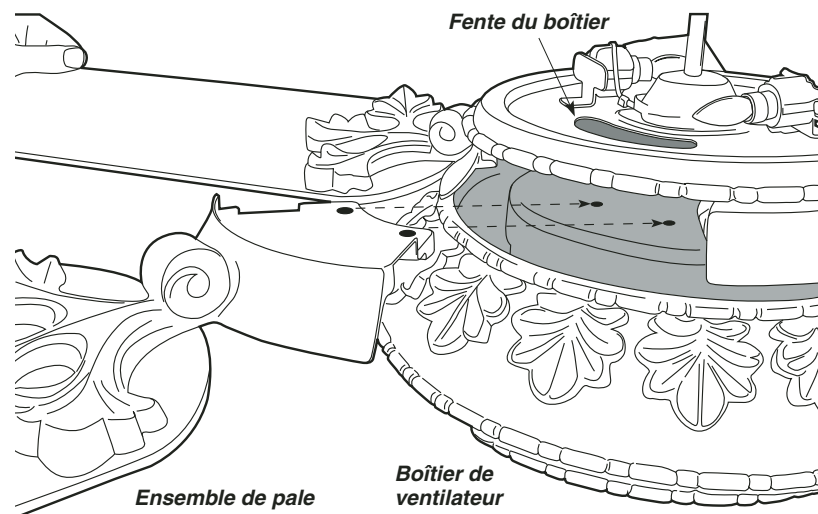


Partie inférieure de la coupelle

10

Étape 10

Assembler le bras de palet et celle-ci, puis insérer le bras dans le boîtier de ventilateur. Une fente (comme indiqué à l'étape 10) permet de serrer l'ensemble de pale sur le boîtier de ventilateur. Faire tourner la fente pour fixer les cinq pales. Bien serrer.

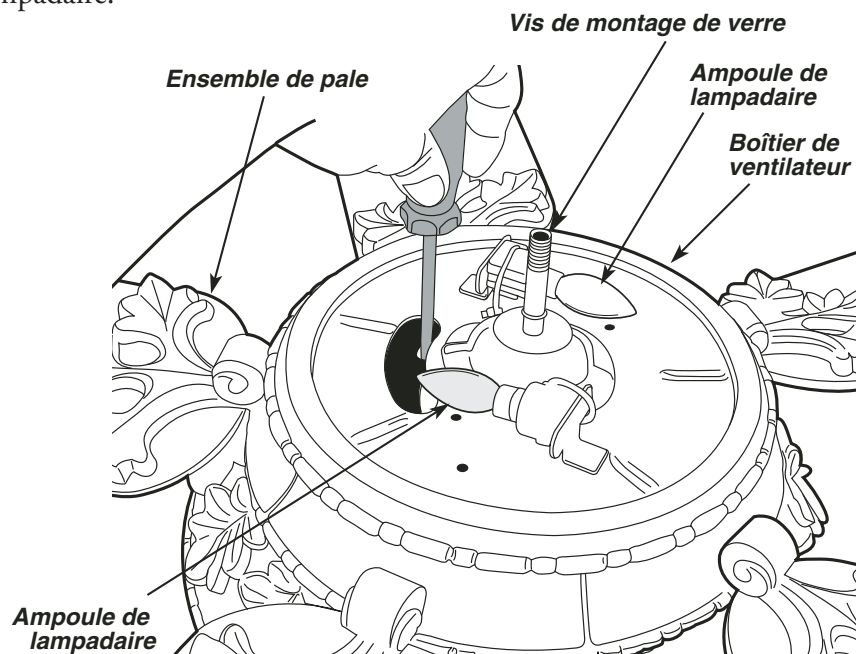


ATTENTION: ne fixez les supports de pales au moteur que lorsque ce dernier est totalement installé. Ainsi vous n'endommagerez pas les supports de pale qui ont été soigneusement équilibrés.

IMPORTANT: enlevez les coussinets de mousse en caoutchouc et conservez les vis de moteur pour l'installation.

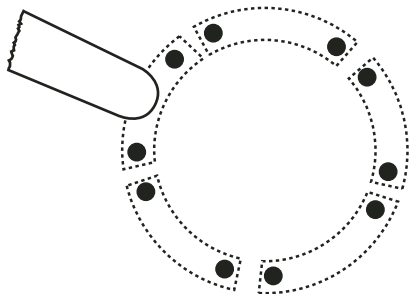
11**Étape 11**

Pour monter les pales, positionner la fente sur le boîtier du moteur de ventilateur de façon à pouvoir accéder aux vis (comme indiqué sur la figure ci-dessous). Visser la vis de montage de verre et les ampoules de lampadaire.

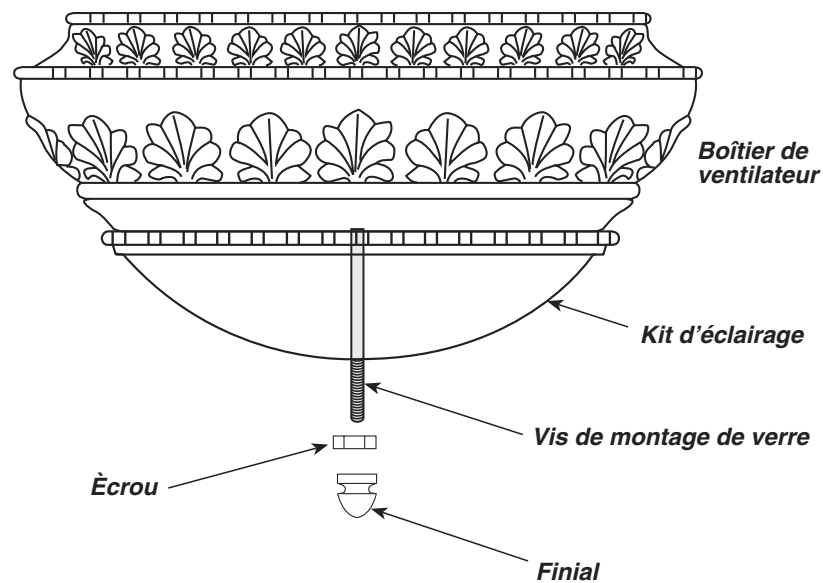


⚠ ATTENTION: Manipuler l'ampoule en utilisant la protection fournie, car le fait de toucher l'ampoule avec les doigts raccourcir a sa durée de service.

Retirer les tampons en caoutchouc, en conservant les vis du moteur pour le montage des pales. Utiliser les vis de moteur (S5) fournies et aligner les trous du bras de pale et ceux du boîtier de moteur. Bien serrer les vis

**12****Étape 12**

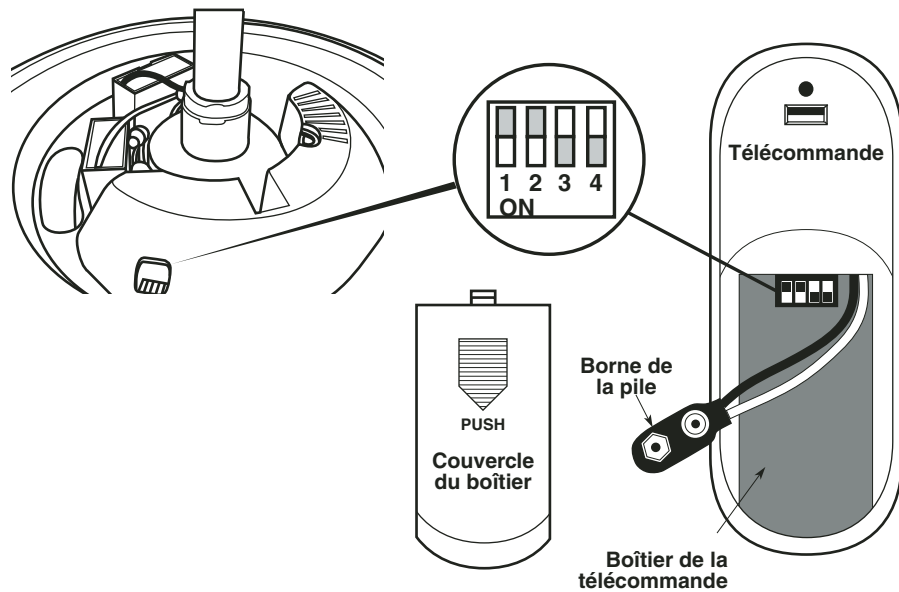
Monter le kit d'éclairage sur le boîtier de ventilateur et le fixer au moyen du fleuron (comme indiqué ci-dessous).



Réglage des interrupteurs de fréquence

La télécommande fonctionne grâce à un ensemble d'interrupteurs de fréquence pré-réglés en usine. Les interrupteurs sont situés au dos de la télécommande et sur le module de réception du boîtier de moteur supérieur du ventilateur. Les interrupteurs peuvent être réglés sur n'importe quelle position, tant que ceux de l'unité murale et ceux du module de réception sont configurés de la même façon. Les commutateurs DIP sur tous les modules et émetteurs (RF) sont pré-réglés à l'usine en position (ON).

Pour remplacer la pile, il vous suffit d'appuyer sur l'onglet et de faire glisser le couvercle du boîtier. Enclenchez la pile de 9 V sur la borne et remplacez-la dans le boîtier de la télécommande. Faites glisser le couvercle du boîtier sur la télécommande.



Mode d'emploi

HIGH
MEDIUM
LOW

Ces commandes permettent de contrôler la vitesse du moteur du ventilateur. Pour sélectionner la vitesse désirée, appuyez une fois sur le bouton et relâchez-le.

REVERSE

Permet de contrôler la direction des pales du ventilateur. Pour inverser le sens des pales du ventilateur, appuyez une fois sur le bouton puis relâchez-le.

FAN OFF

Permet d'arrêter le moteur du ventilateur. Appuyez une fois sur le bouton pour l'arrêter. Pour faire redémarrer le moteur, appuyez une fois sur un des boutons de vitesse du moteur.

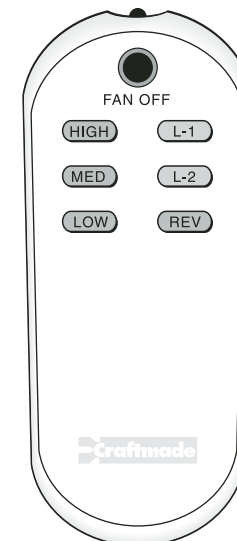
L-1

Permet de contrôler l'activation ou la désactivation, ainsi que l'intensité de l'éclairage du corps latéral (le cas échéant). Pour activer et désactiver, appuyez sur le bouton et relâchez-le. Maintenez-le bouton enfoncé pour pouvoir contrôler l'intensité de l'éclairage.

L-2

Permet de contrôler l'activation et la désactivation, ainsi que l'intensité du kit d'éclairage inférieur intégré. Pour activer ou désactiver, appuyez sur le bouton et relâchez-le. Maintenez-le enfoncé pour pouvoir contrôler l'intensité de l'éclairage.

REMARQUE : les boutons « High », « Medium » ou « Low » permettent de lancer le moteur de ventilateur. La vitesse du ventilateur peut être modifiée à tout moment.

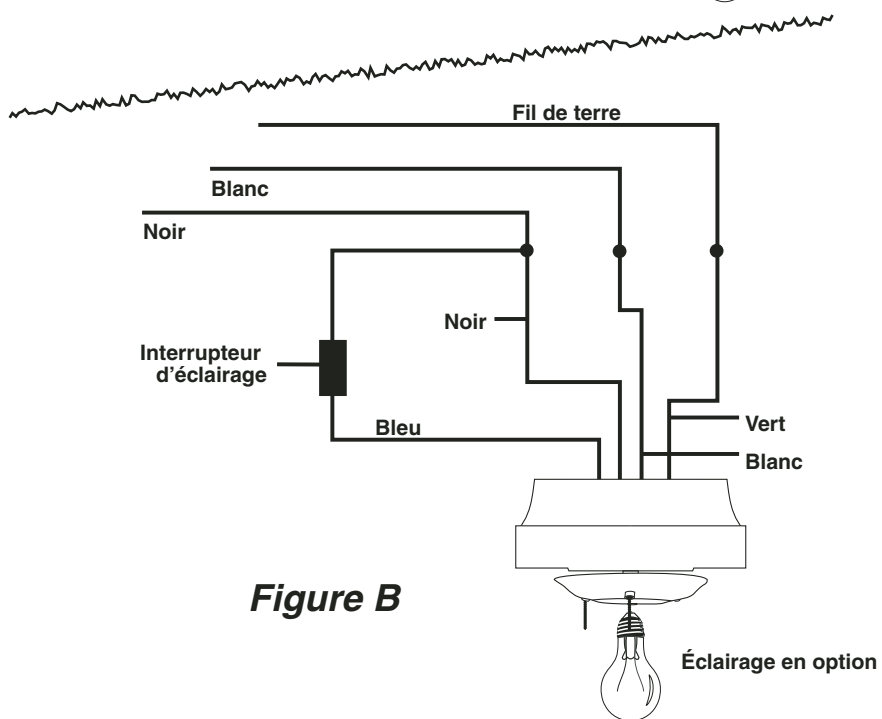
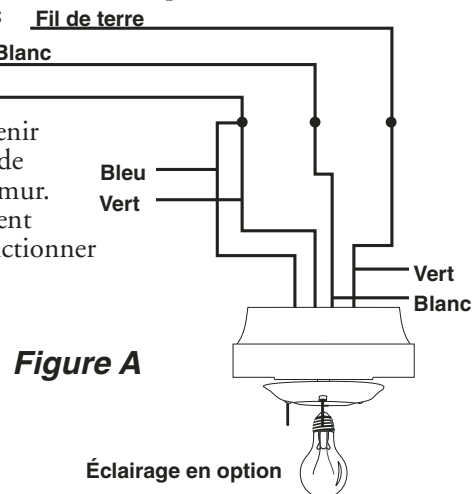


Connexions électriques

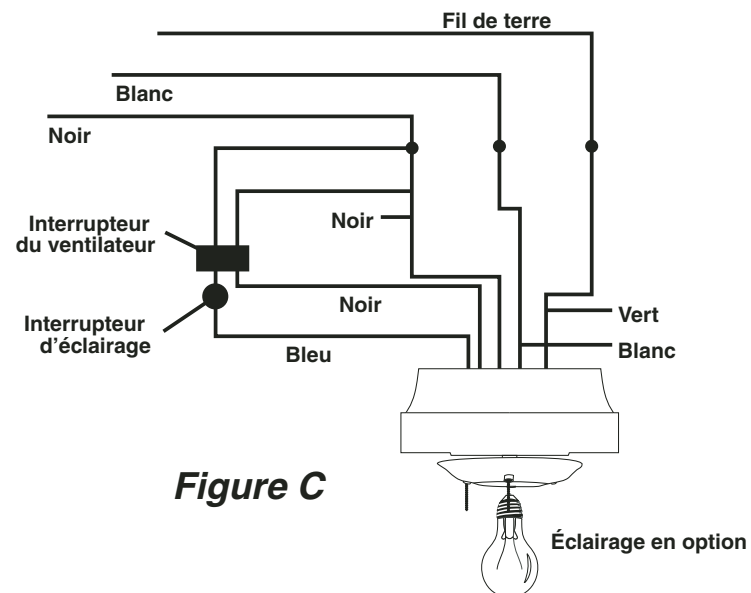
Branchez les fils bleu et noir du ventilateur (s'ils sont fournis) sur le fil noir de la boîte de sortie. Connectez le fil blanc du ventilateur au fil blanc de la boîte de sortie et connectez le fil de terre vert sortant du conducteur de mise à la terre au circuit d'alimentation (voir la figure A). Utilisez les connecteurs fournis avec votre ventilateur. Il ne peut y avoir de fil ou de connexion desserrée. Une fois que les fils ont été connectés, ils doivent être séparés de manière à ce que les fils vert et blanc soient d'un côté de la boîte de sortie et que les fils noir et bleu soient de l'autre côté. Faites pivoter les

épissures vers le haut et faites soigneusement rentrer tous les fils dans la boîte de sortie. Consultez les figures B ou C pour obtenir un câblage différent, vous permettant de contrôler votre ventilateur à partir du mur. Les interrupteurs muraux utilisés doivent être homologués UL pour pouvoir fonctionner avec des ventilateurs de plafond.

REMARQUE : assurez-vous que l'interrupteur on/off [marche arrêt] du ventilateur est toujours sur « HIGH SPEED » si votre ventilateur est commandé par un interrupteur mural supplémentaire.



Connexions électriques (suite)



Problèmes fréquents

Problème A: Le ventilateur ne démarre pas

Solution : 1. Vérifiez les fusibles ou le disjoncteur et remplacez-les si besoin est.
2. Coupez l'alimentation électrique et vérifiez tous les connecteurs.
3. Vérifiez les interrupteurs on/off ainsi que l'interrupteur de commande mural. Consultez le mode d'emploi.

Problème B: Le ventilateur fait trop de bruit

Solution : 1. Vérifiez que toutes les vis du ventilateur sont serrées et correctement installées
2. Assurez-vous que le support de montage est correctement installé.
3. Assurez-vous que le kit d'éclairage et le verre ont été correctement réinstallés et fixés.
4. Si vous utilisez une commande murale, assurez-vous qu'il ne s'agit pas d'un transformateur ou d'une commande à vitesse variable.

Problème C: Le ventilateur oscille

Solution : 1. Vérifiez que toutes les pales sont correctement vissées sur les supports de pales.
2. Vérifiez que tous les supports de pales sont vissés fermement sur le moteur.
3. Vérifiez le poids des pales. Toutes nos pales sont pesées sur des balances électroniques. Le poids est marqué sur le dos de la pale, à côté de l'extrémité du moteur. Toutes les pales doivent avoir le même poids pour que le ventilateur n'oscille pas.
4. Un kit d'équilibrage des pales est fourni avec l'appareil.

Poids: Un ventilateur complet, c'est-à-dire avec le matériel d'assemblage, pèse 24 lbs. (10.9 kg).